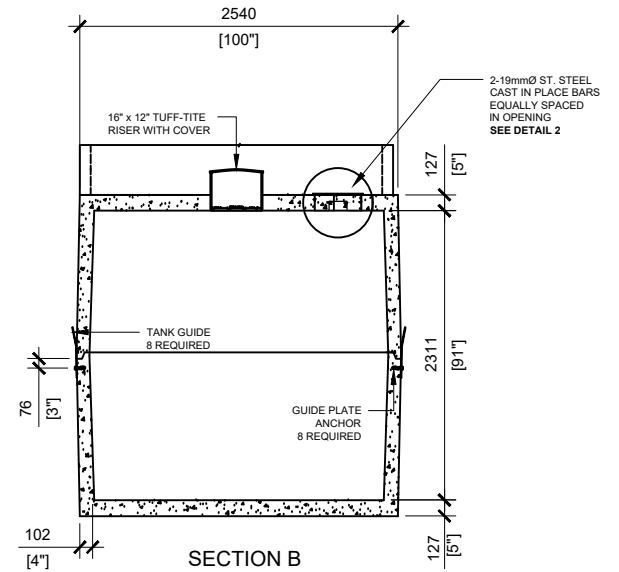
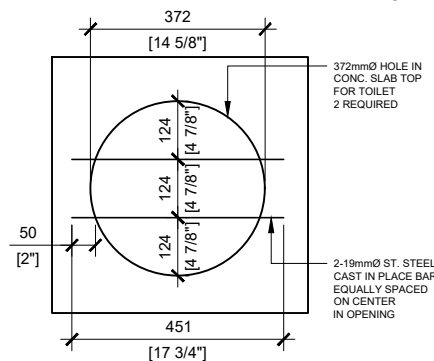


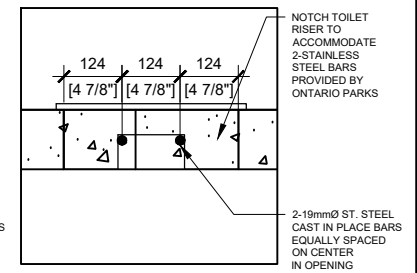
TOP VIEW  
SCALE: 1/50



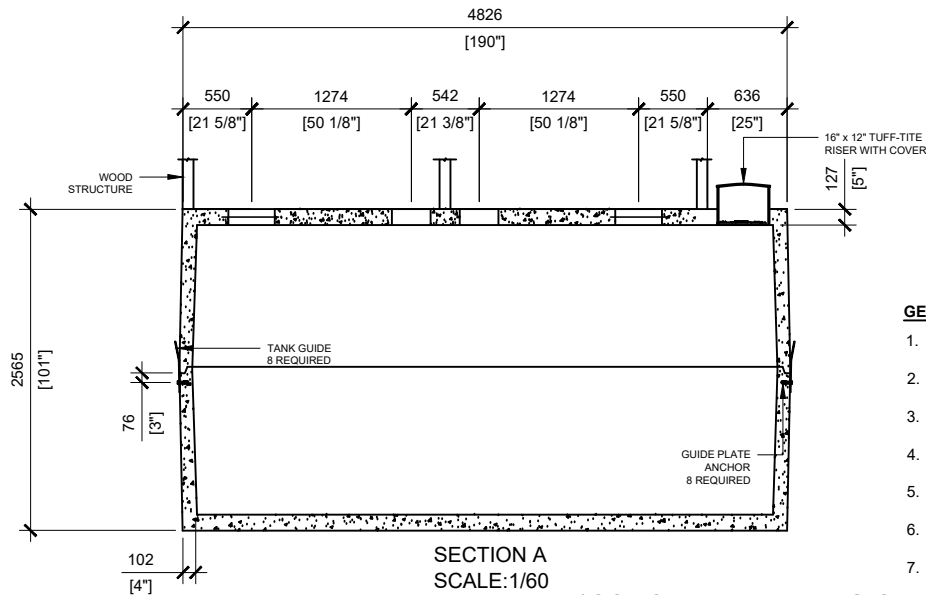
SECTION B  
SCALE: 1/60



DETAIL 1: TOILET UNIT PLAN  
SCALE: 1/16



DETAIL 2: TOILET UNIT SECTION  
SCALE: 1/16



SECTION A  
SCALE: 1/60

**GENERAL NOTES:**

1. UNITS ARE SEALED WITH BUTYL TAPE AT THE JOINTS
2. CONTRACTOR TO ENSURE CRANE IS ON-SITE TO OFFLOAD AND SET TANK
3. MIN OVERHEAD CLEARANCE OF 18FT (5.5 METRES) IS REQUIRED
4. ALL UNITS MUST BE HANDLED WITH PROPER LIFTING EQUIPMENT (I.E. SPREADER BAR)
5. SCHEMATIC ONLY (FURTHER DETAIL UPON REQUEST)
6. MAXIMUM BURIAL DEPTH = 1 METRE IN FIRM SOIL AWAY FROM ANY VEHICULAR TRAFFIC
7. TUF-TITE SAFETY LID INSTALLED IN OPENING AS PER CSA-B66-21

**\*CONCRETE BUILDING OPTIONS AVAILABLE\***



MANUFACTURED:  
OTTAWA, ON  
1-800-655-3430

CONCRETE: 45MPa at 28 days/6,500PSI  
AIR ENTRAINMENT: 5-8%  
REINFORCEMENT: STEEL TO CSA CAN  
A23.1 /A23.3 G30.14-M1983

WEIGHT: TOP: 20,000lbs/9,070kg  
BOTTOM: 20,000lbs/9,070kg  
CSA APPROVED  
MEETS CAN/CSA-B66  
"AGINP"

DRAWN BY:  
JAY PATEL

DATE:  
APRIL/2022

**PRIVY 22000** (WOOD STRUCTURE)

22,000 LITRES