

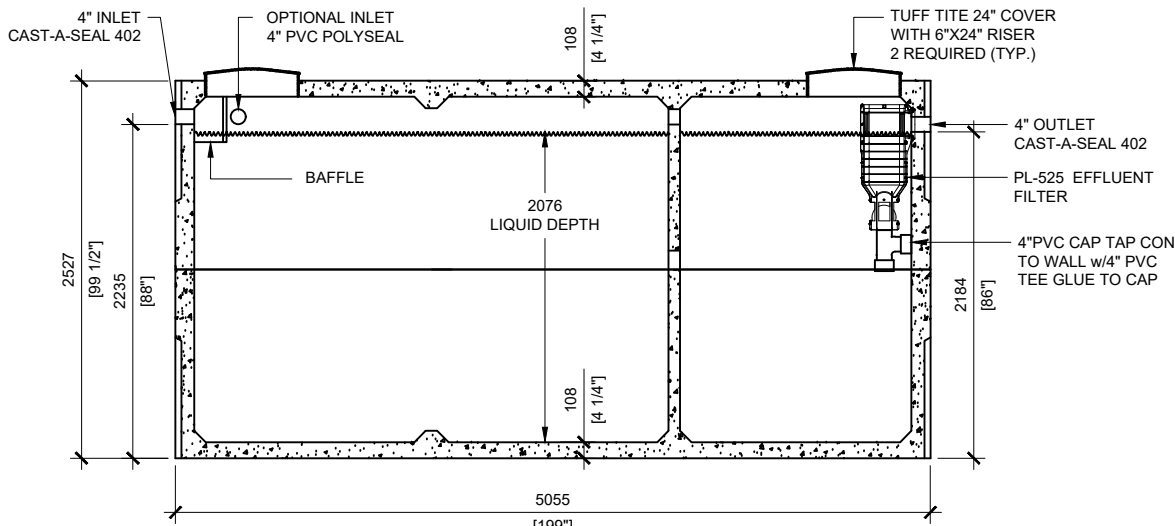
PL-525 EFFLUENT FILTER

TUFF TITE 24" COVER WITH 6"X24" RISER 2 REQUIRED (TYP.)

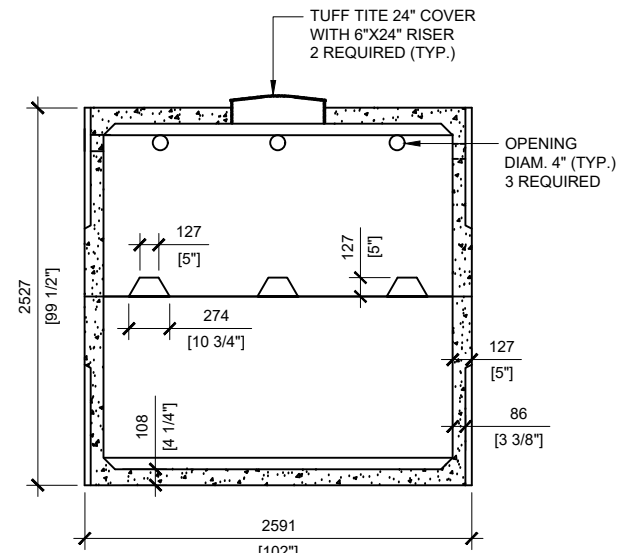
TOP VIEW SCALE: 1/50

**GENERAL NOTES:**

1. UNITS ARE SEALED WITH BUTYL TAPE AT THE JOINTS
2. DELIVERY IS MADE BY CRANE-EQUIPPED TRUCKS
3. EXCAVATION MUST BE READY, SAFE AND ACCESSIBLE FOR UNLOADING FROM THE REAR OF THE TRUCK.
4. MIN OVERHEAD CLEARANCE OF 18FT IS REQUIRED
5. ALL UNITS MUST BE HANDLED WITH PROPER LIFTING EQUIPMENT (I.E. SPREADER BAR)
6. MAXIMUM BURIAL DEPTH = 1 METRE IN FIRM SOIL AWAY FROM ANY VEHICULAR TRAFFIC



SECTION A SCALE: 1/50



SECTION B SCALE: 1/50



MANUFACTURED:  
BROOKLIN, ON  
1-800-655-3430

CONCRETE: 35MPa at 28 days/5000PSI  
AIR ENTRAINMENT: 6-8%  
MEETS CAN/CSA-B66-00  
REINFORCEMENT: STEEL TO CSA CAN  
A23.1 /A23.3 G30.18 Fy=400MPa

WEIGHT: 34,870lbs / 15,820kg  
CPA CERTIFIED

DRAWN BY:  
S.RIMLAND

DATE:  
JAN/2018

**22750 LITRES** SEPTIC TANK  
5000 IMPERIAL GALLON  
WORKING CAPACITY: 23,248 LITRES TO INVERT OF OUTLET  
TOTAL CAPACITY: 25,853 LITRES TO UNDERSIDE OF CHAMBER LID