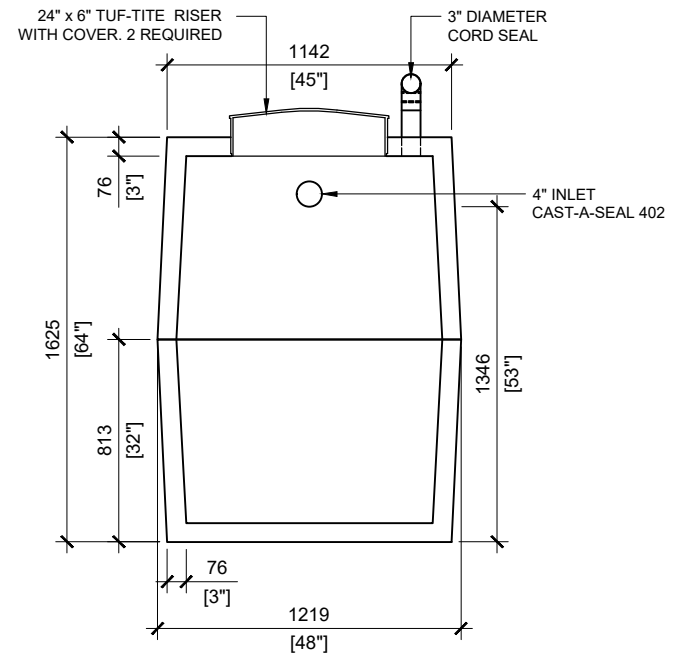
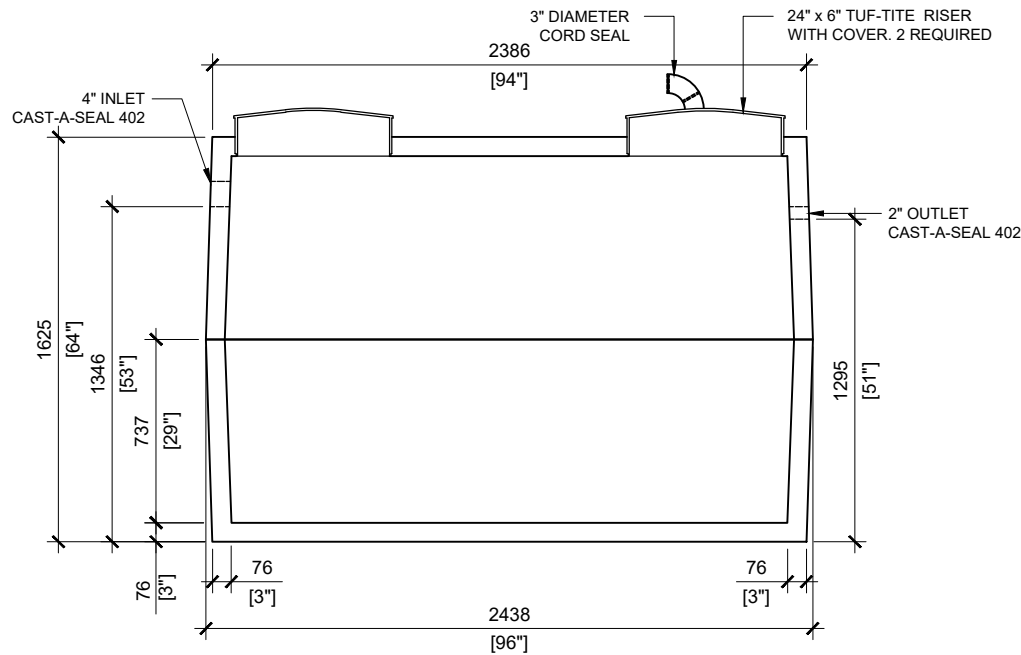


**GENERAL NOTES:**

1. UNITS ARE SEALED WITH BUTYL TAPE AT THE JOINTS
2. DELIVERY IS MADE BY CRANE-EQUIPPED TRUCKS
3. EXCAVATION MUST BE READY, SAFE AND ACCESSIBLE FOR UNLOADING FROM THE REAR OF THE TRUCK.
4. MIN OVERHEAD CLEARANCE OF 18FT IS REQUIRED
5. ALL UNITS MUST BE HANDLED WITH PROPER LIFTING EQUIPMENT (I.E. SPREADER BAR)
6. MAXIMUM BURIAL DEPTH = 1 METRE IN FIRM SOIL AWAY FROM ANY VEHICULAR TRAFFIC

\*WILL BE CONVERTING TO A 2" CAST-A-SEAL OUTLET FOR 2018\*



**MANUFACTURED:**  
BROOKLIN, ON  
1-800-655-3430

**CONCRETE:** 35MPa at 28 days/5000PSI  
**AIR ENTRAINMENT:** 6-8%  
**REINFORCEMENT:** STEEL TO CSA CAN  
A23.1 /A23.3 G30.18 Fy=400MPa

**UNIT WEIGHT:** 5,720lbs  
CPA CERTIFIED  
MEETS CSA-BB6-00

**DRAWN BY:**  
S.RIMLAND

**DATE:**  
JAN/2018

**2700 LITRES PUMP TANK**  
600 IMPERIAL GALLON

600 IMPERIAL GALLON / 2,700 LITRES