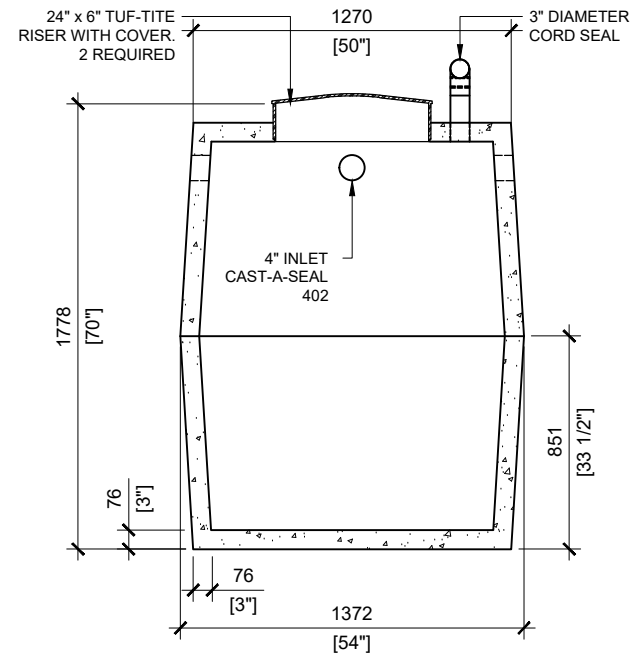
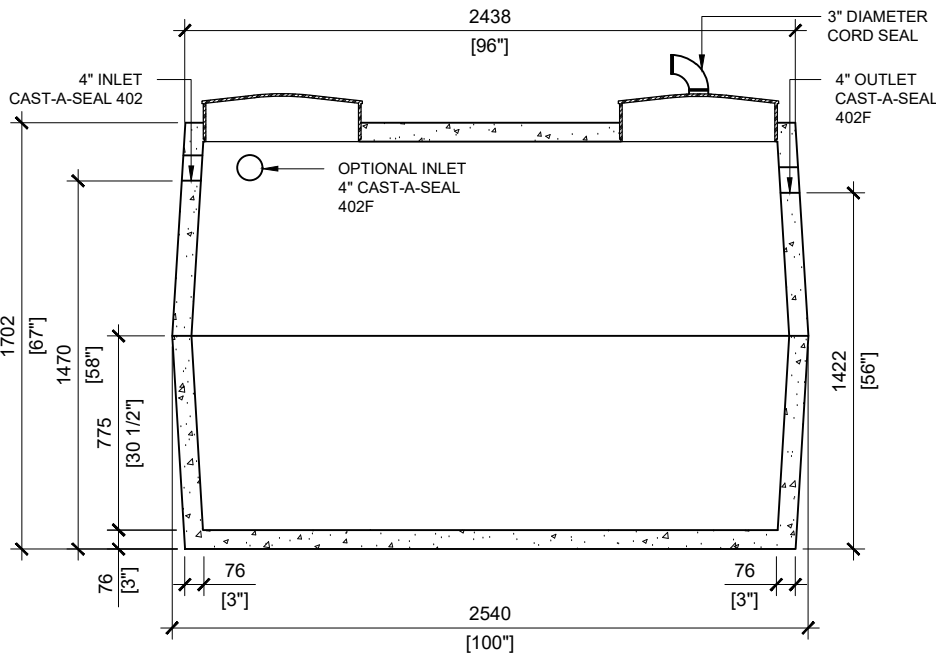


GENERAL NOTES:

1. UNITS ARE SEALED WITH BUTYL TAPE AT THE JOINTS
2. DELIVERY IS MADE BY CRANE-EQUIPPED TRUCKS
3. EXCAVATION MUST BE READY, SAFE AND ACCESSIBLE FOR UNLOADING FROM THE REAR OF THE TRUCK.
4. MIN OVERHEAD CLEARANCE OF 18FT (5.5 METRES) IS REQUIRED
5. ALL UNITS MUST BE HANDLED WITH PROPER LIFTING EQUIPMENT
6. MAXIMUM BURIAL DEPTH = 1 METRE IN FIRM SOIL AWAY FROM ANY VEHICULAR TRAFFIC



MANUFACTURED:
 BROOKLIN, ON
 1-800-655-3430

CONCRETE: 35MPa at 28 days / 5000PSI
 AIR ENTRAINMENT: 5-8%
 REINFORCEMENT: STEEL TO CSA CAN
 A23.1 / A23.3 G30.18 Fy=400MPa

UNIT WEIGHT: 6,520lbs / 2,963kg
 CPA CERTIFIED
 MEETS CAN/CSA-B66
 "AGINP"

DRAWN BY:
 N.CHAN

DATE:
 MAR/2021

3600 LITRES

WORKING CAPACITY: 3,844L TO INVERT OF INLET

TOTAL CAPACITY: 4,258L TO UNDERSIDE OF CHAMBER LID

**PUMP
 TANK**