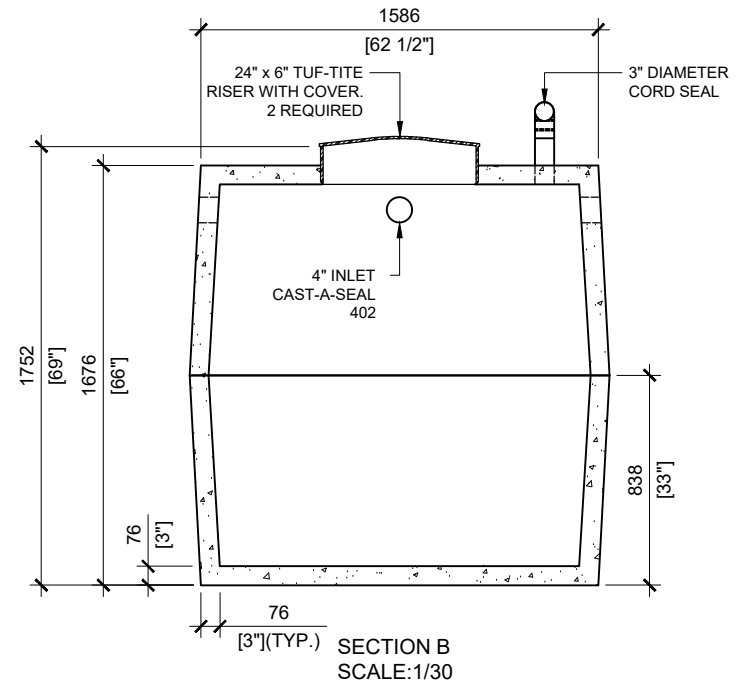
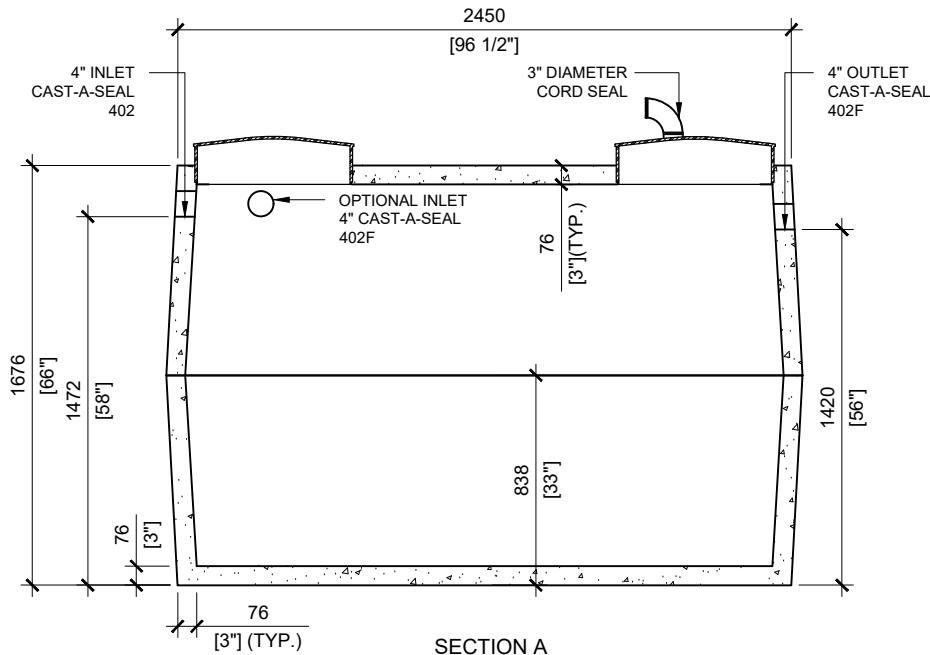


**GENERAL NOTES:**

1. UNITS ARE SEALED WITH BUTYL TAPE AT THE JOINTS
2. DELIVERY IS MADE BY CRANE-EQUIPPED TRUCKS
3. EXCAVATION MUST BE READY, SAFE AND ACCESSIBLE FOR UNLOADING FROM THE REAR OF THE TRUCK.
4. MIN OVERHEAD CLEARANCE OF 18FT (5.5 METRES) IS REQUIRED
5. ALL UNITS MUST BE HANDLED WITH PROPER LIFTING EQUIPMENT
6. MAXIMUM BURIAL DEPTH = 1 METRE IN FIRM SOIL AWAY FROM ANY VEHICULAR TRAFFIC



**MANUFACTURED:**  
BROOKLIN, ON  
1-800-655-3430

**CONCRETE:** 35MPa at 28 days / 5000PSI  
**AIR ENTRAINMENT:** 5-8%  
**REINFORCEMENT:** STEEL TO CSA CAN  
A23.1 / A23.3. G30.18 Fy=400MPa

**UNIT WEIGHT:** 8,200lbs / 3,727kg  
CPA CERTIFIED  
MEETS CAN/CSA-B66  
"AGINP"

**DRAWN BY:**  
N.CHAN

**DATE:**  
MAR/2021

**4500 LITRES**

**WORKING CAPACITY:** 4,866L TO INVERT OF INLET

**TOTAL CAPACITY:** 5,287L TO UNDERSIDE OF CHAMBER LID

**PUMP  
TANK**