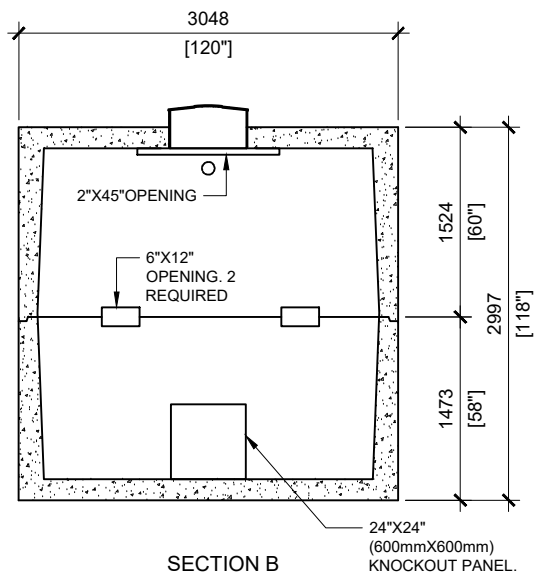
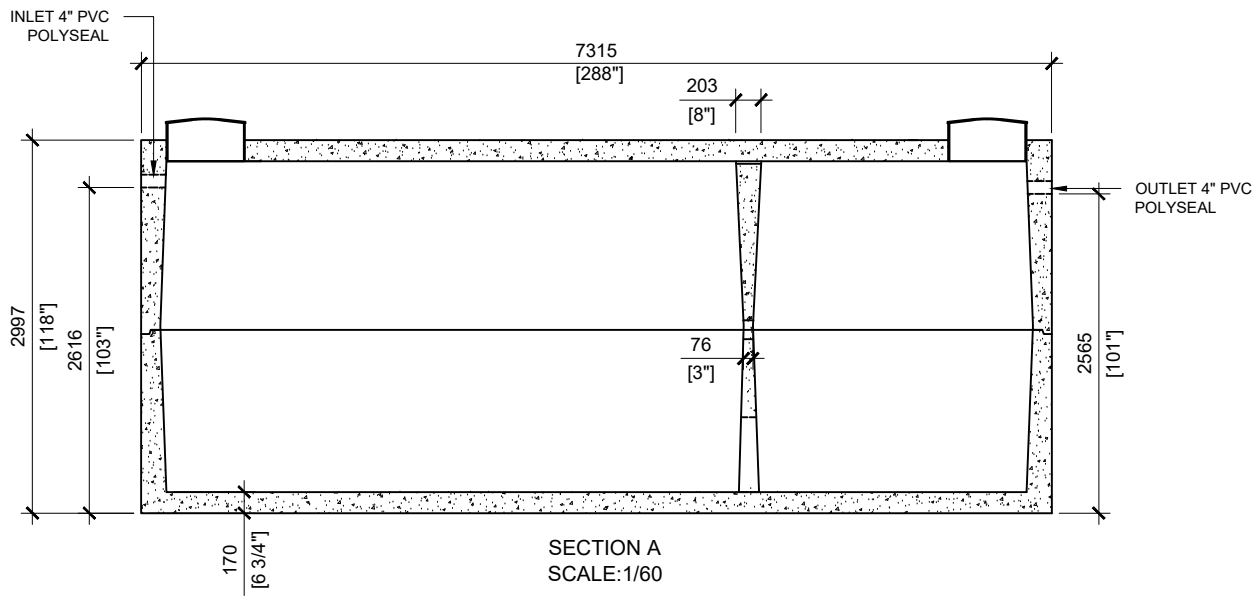


TOP VIEW
SCALE: 1/60



SECTION B
SCALE: 1/60



SECTION A
SCALE: 1/60

GENERAL NOTES:

1. CONCRETE TO BE 45MPa/6,500 P.S.I.
2. BURIAL DEPTH= 30"



MANUFACTURED:
OTTAWA, ON
1-800-655-3430

CONCRETE: 45MPa / 6,500PSI
AIR ENTRAINMENT: 6-8%
MEETS CAN/CSA-B66-00
REINFORCEMENT: MEETS G30.14-M1983

CSA APPROVED
WEIGHT: 50,700lbs / 23,000kg (TOP)
50,700lbs / 23,000kg (BOTTOM)

DRAWN BY:
S.RIMLAND
DATE:
JAN/2018

45500 LITRES SINGLE CHAMBER
10,000 IMPERIAL GALLON
10,000 IMPERIAL GALLON / 45,500 LITRES SINGLE CHAMBER TANK