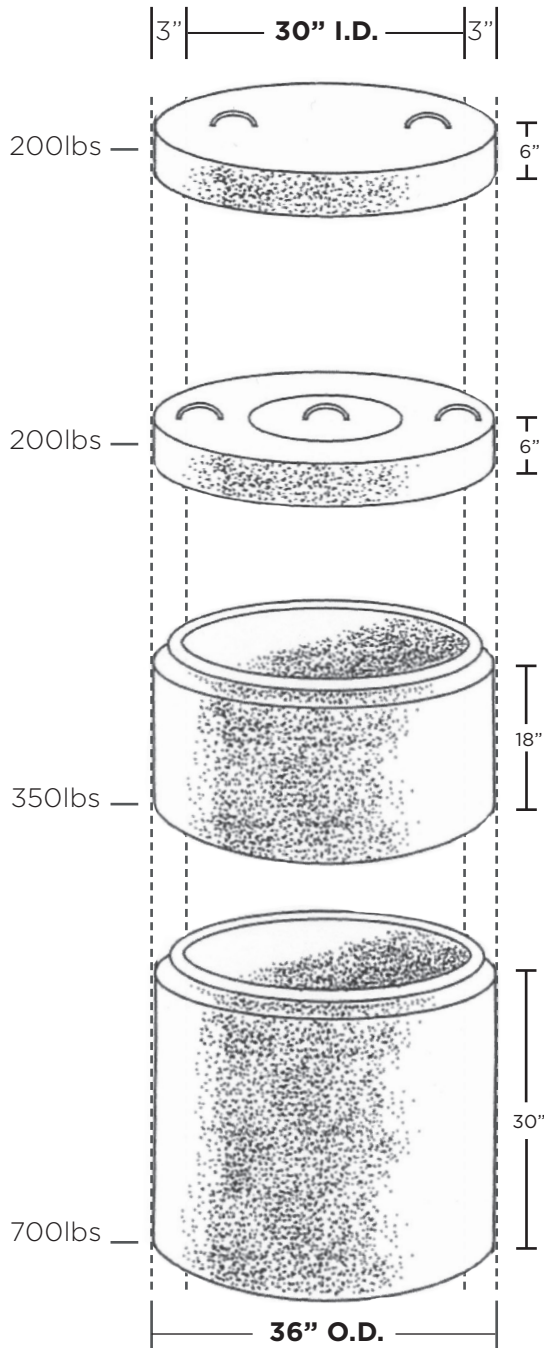


30" WELL TILE



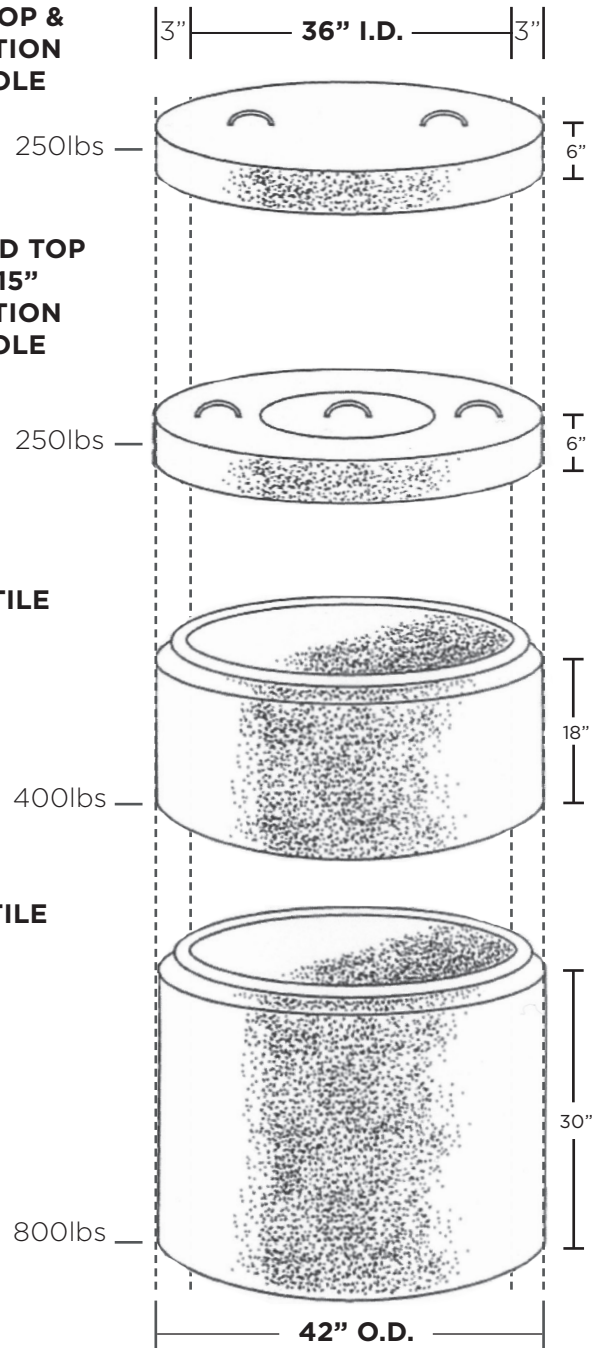
**SOLID TOP &
INSPECTION
MANHOLE**

**STANDARD TOP
WITH 15"
INSPECTION
MANHOLE**

HALF TILE

FULL TILE

36" WELL TILE



BROOKLIN OFFICE
brooklinsales@brooklin.com

6760 Baldwin Street,
Brooklin, ON, Canada L1M 1X8

T: 905-655-3311 | 1-800-655-3430
F: 905-655-3847

NEWMARKET OFFICE
newmarketsales@brooklin.com

18599 Yonge Street North,
East Gwillimbury, ON, Canada L9N 0J1

T: 905-895-2373 | 1-888-407-6443
F: 905-898-3264

HUNTSVILLE /HALIBURTON OFFICE
huntsvillesales@brooklin.com

21 Stephenson Road 12 (East of Hwy 11),
Huntsville, ON, Canada P1H 2K8

T: 705-789-2338 | 1-800-264-3302
F: 705-789-9829