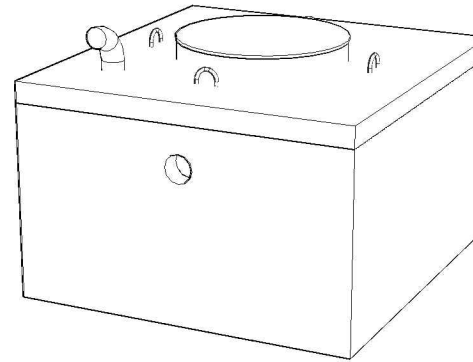
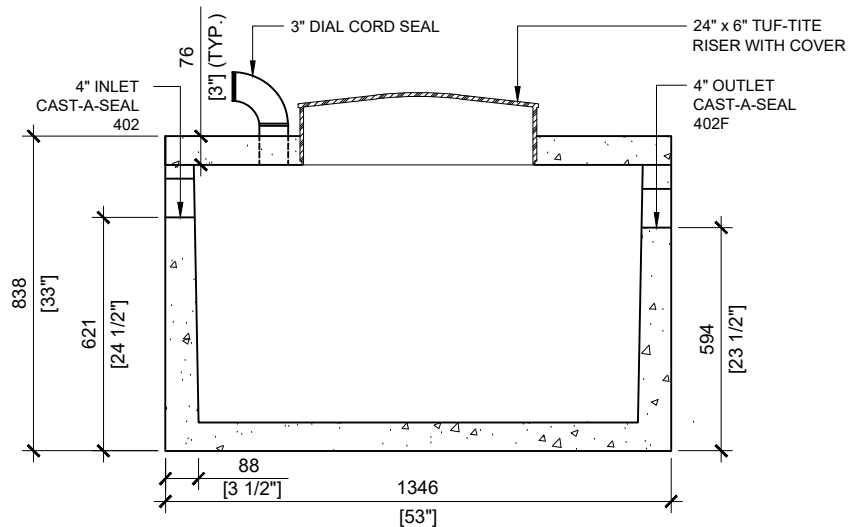


700 & 1400 LITRES TOP VIEW
SCALE: 1/20

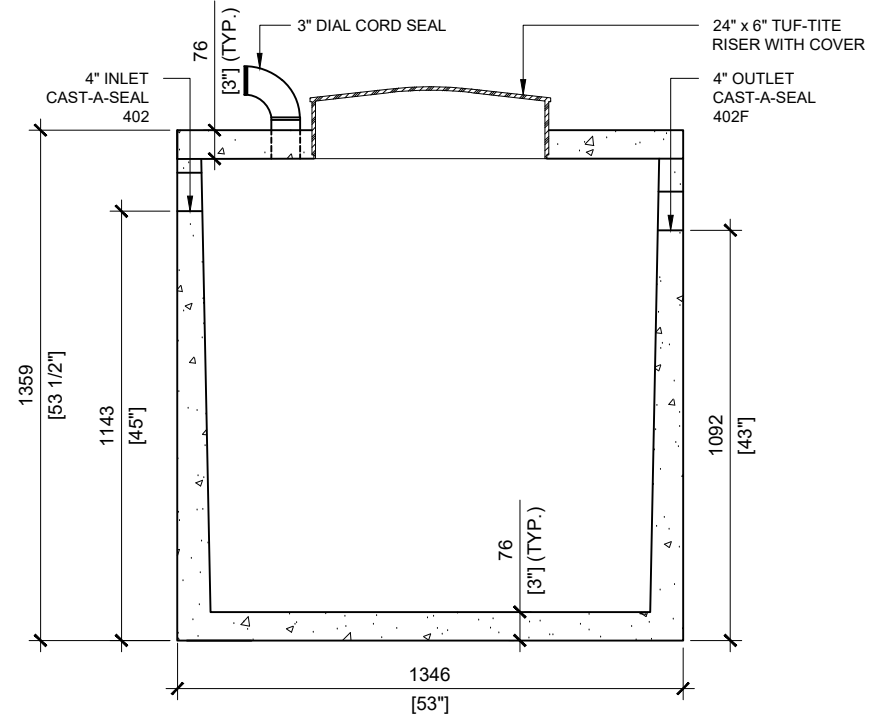


GENERAL NOTES:

1. UNITS ARE SEALED WITH BUTYL TAPE AT THE JOINTS
2. DELIVERY IS MADE BY CRANE-EQUIPPED TRUCKS
3. EXCAVATION MUST BE READY, SAFE AND ACCESSIBLE FOR UNLOADING FROM THE REAR OF THE TRUCK.
4. MIN OVERHEAD CLEARANCE OF 18FT (5.5 METRES) IS REQUIRED
5. ALL UNITS MUST BE HANDLED WITH PROPER LIFTING EQUIPMENT
6. MAXIMUM BURIAL DEPTH = 1 METRE IN FIRM SOIL AWAY FROM ANY VEHICULAR TRAFFIC



700 LITRES SECTION A
SCALE: 1/20



1400 LITRES SECTION A
SCALE: 1/20



MANUFACTURED:
BROOKLIN, ON
1-800-655-3430

CONCRETE: 35MPa/5000PSI
AIR ENTRAINMENT: 5-8%
REINFORCEMENT: STEEL TO CSA CAN
A23.1 /A23.3 G30.18 Fy=400MPa

WEIGHT:
700 LITRES- 2,600 lbs / 1,182kg
1400 LITRES- 3,560 lbs / 1,618kg
CPA CERTIFIED
MEETS CAN/CSA-B66
"AGINP"

DRAWN BY:
N.CHAN

DATE:
MAR/2021

700 & 1400 LITRES PUMP TANK

WORKING CAPACITY: 719L & 1,435L TO INVERT OF INLET
TOTAL CAPACITY: 903L & 1,610L TO UNDERSIDE OF CHAMBER LID