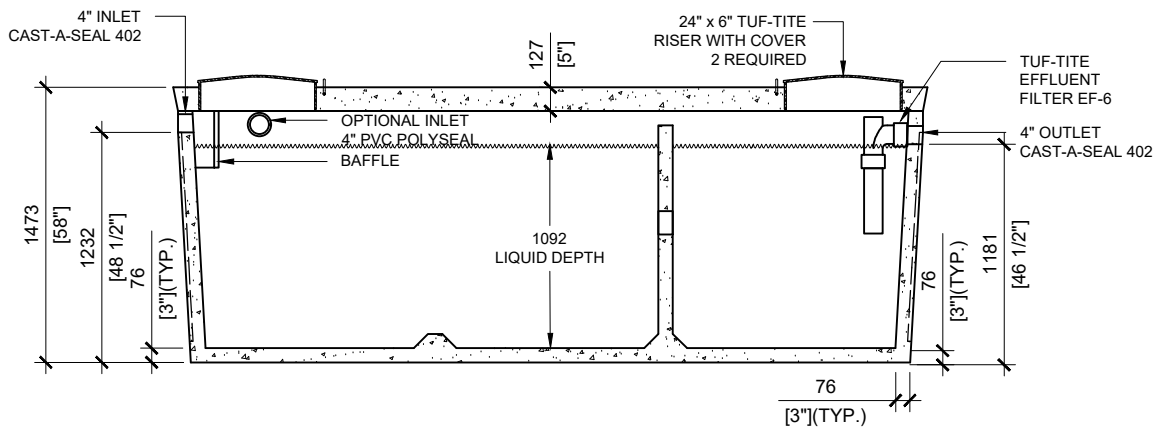
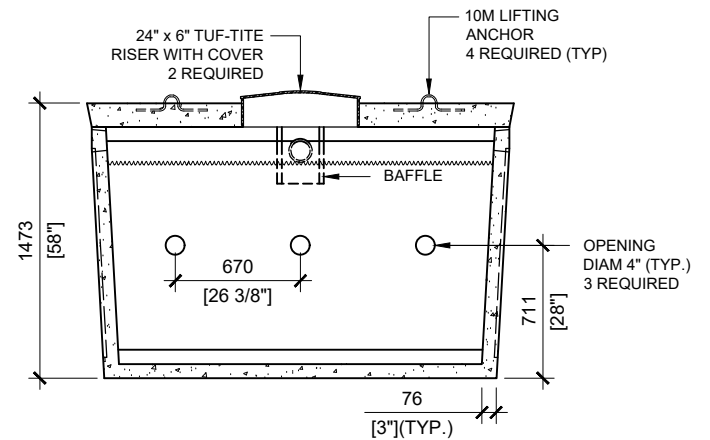


**GENERAL NOTES:**

1. UNITS ARE SEALED WITH BUTYL TAPE AT THE JOINTS
2. DELIVERY IS MADE BY CRANE-EQUIPPED TRUCKS
3. EXCAVATION MUST BE READY, SAFE AND ACCESSIBLE FOR UNLOADING FROM THE REAR OF THE TRUCK.
4. MIN OVERHEAD CLEARANCE OF 18FT IS REQUIRED
5. ALL UNITS MUST BE HANDLED WITH PROPER LIFTING EQUIPMENT (I.E. SPREADER BAR)
6. MAXIMUM BURIAL DEPTH = 1 METRE IN FIRM SOIL AWAY FROM ANY VEHICULAR TRAFFIC



SECTION A  
SCALE: 1/40



SECTION B  
SCALE: 1/40



**MANUFACTURED:**  
BROOKLIN, ON  
1-800-655-3430

**CONCRETE:** 35MPa/5000PSI  
**AIR ENTRAINMENT:** 6-8%  
**REINFORCEMENT:** STEEL TO CSA CAN  
A23.1 /A23.3 G30.18 Fy=400MPa

**WEIGHT:**  
17,250lbs / 7,825kg  
CPA CERTIFIED  
MEETS CSA-BB6-00

**DRAWN BY:**  
S.RIMLAND

**DATE:**  
JAN/2018

**7500 LITRES LOW HEIGHT SEPTIC TANK**

1650 IMPERIAL GALLON  
**WORKING CAPACITY:** 8,219 LITRES TO INVERT OF OUTLET  
**TOTAL CAPACITY:** 9,624 LITRES TO UNDERSIDE OF CHAMBER LID