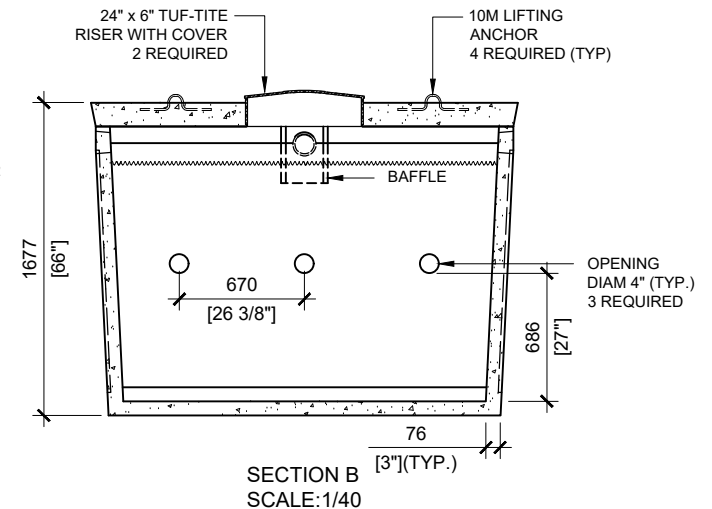
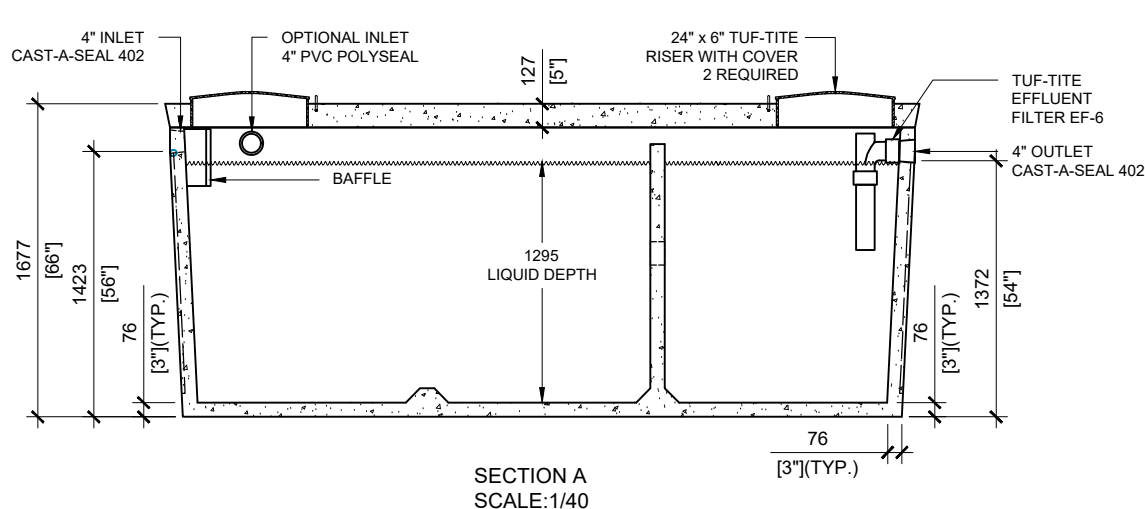


**GENERAL NOTES:**

1. UNITS ARE SEALED WITH BUTYL TAPE AT THE JOINTS
2. DELIVERY IS MADE BY CRANE-EQUIPPED TRUCKS
3. EXCAVATION MUST BE READY, SAFE AND ACCESSIBLE FOR UNLOADING FROM THE REAR OF THE TRUCK.
4. MIN OVERHEAD CLEARANCE OF 18FT IS REQUIRED
5. ALL UNITS MUST BE HANDLED WITH PROPER LIFTING EQUIPMENT (I.E. SPREADER BAR)
6. MAXIMUM BURIAL DEPTH = 1 METRE IN FIRM SOIL AWAY FROM ANY VEHICULAR TRAFFIC



**MANUFACTURED:**  
BROOKLIN, ON  
1-800-655-3430

**CONCRETE:** 35MPa at 28 days/5000PSI  
**AIR ENTRAINMENT:** 6-8%  
**REINFORCEMENT:** STEEL TO CSA CAN  
A23.1 /A23.3 G30.18 Fy=400MPa

**WEIGHT:**  
17,895lbs / 8,120kg  
CPA CERTIFIED  
MEETS CSA-BB6-00

**DRAWN BY:**  
S.RIMLAND

**DATE:**  
JAN/2018

**9000 LITRES SEPTIC TANK**  
2000 IMPERIAL GALLON

**WORKING CAPACITY:** 9,755 LITRES TO INVERT OF OUTLET  
**TOTAL CAPACITY:** 11,169 LITRES TO UNDERSIDE OF CHAMBER LID