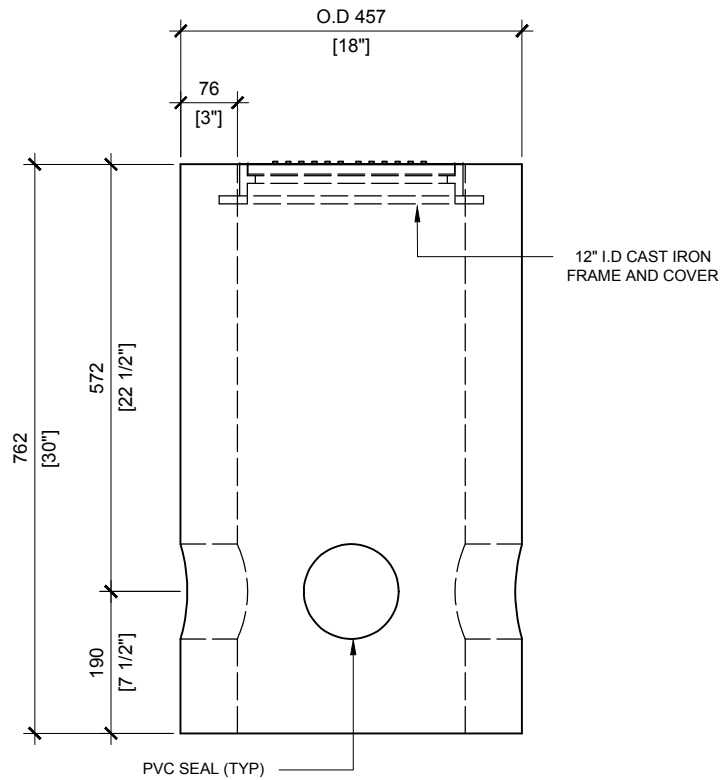
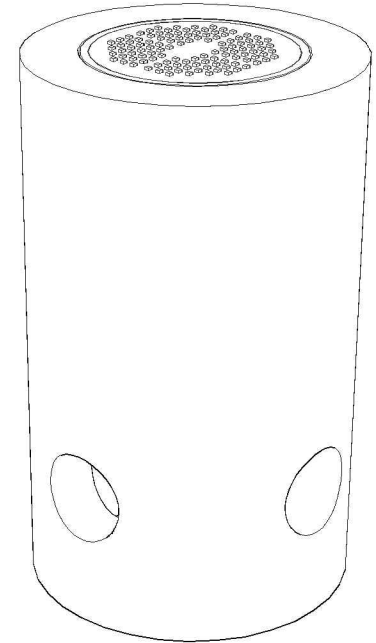


TOP VIEW
SCALE: 1/10



FRONT VIEW
SCALE: 1/10



GENERAL NOTES:

1. CABLE ENTRY OPENINGS - 4- $\frac{3}{4}$ " PVC SEALS
2. DELIVERY IS MADE BY CRANE-EQUIPPED TRUCKS
3. EXCAVATION MUST BE READY, SAFE AND ACCESSIBLE FOR UNLOADING FROM THE REAR OF THE TRUCK.
4. MIN OVERHEAD CLEARANCE OF 18FT IS REQUIRED
5. ALL UNITS MUST BE HANDLED WITH PROPER LIFTING EQUIPMENT (I.E. SPREADER BAR)



MANUFACTURED:
BROOKLIN, ON
1-800-655-3430

CONCRETE: 35MPa / 5,000PSI
AIR ENTRAINMENT: 6-8%
REINFORCEMENT : STEEL TO CSA CAN
A23.1 / A23.3. G30.18 Fy=400MPa

WEIGHT:
BCP2112.01 -350lbs / 160kg

DRAWN BY:
S.RIMLAND

DATE:
AUG/2017

BCP2112.01

PRECAST CONCRETE ELECTRICAL HANDHOLE
MEETS OPSD 2112.010