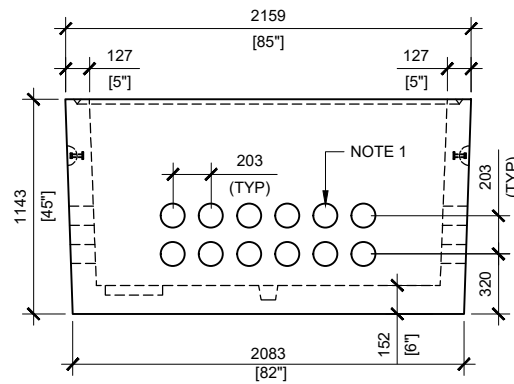
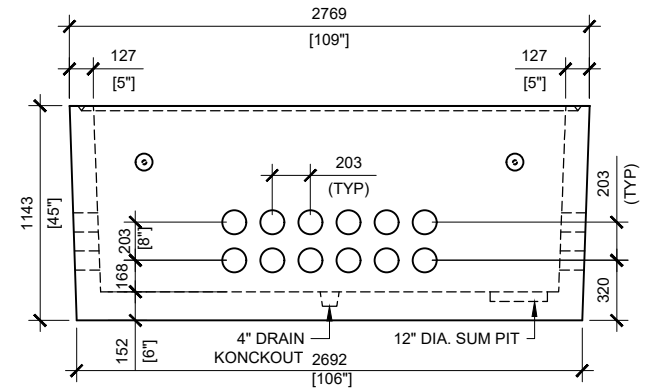


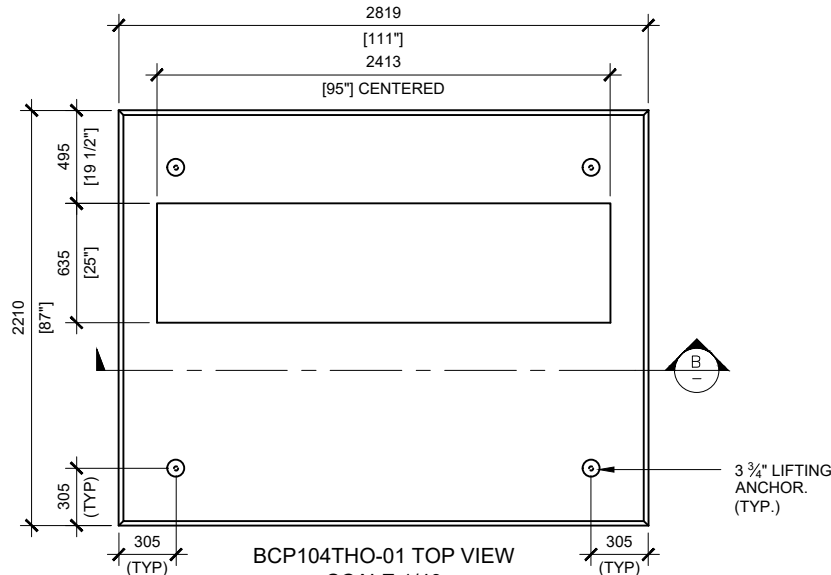
BCP104BHO TOP VIEW
SCALE:1/50



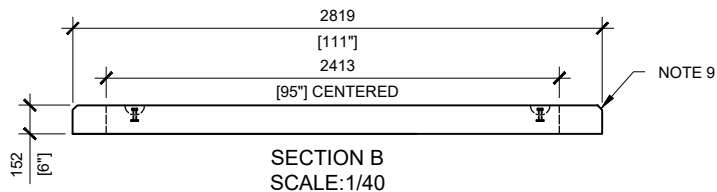
BCP104BHO RIGHT VIEW
SCALE:1/40



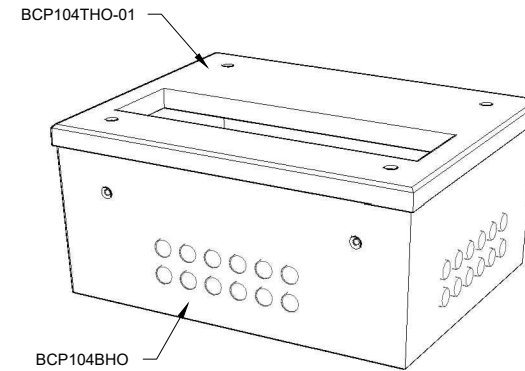
SECTION A
SCALE:1/40



BCP104THO-01 TOP VIEW
SCALE:1/40



SECTION B
SCALE:1/40



GENERAL NOTES:

- CABLE ENTRY OPENINGS - 4 3/4" PVC SEALS
- DELIVERY IS MADE BY CRANE-EQUIPPED TRUCKS
- EXCAVATION MUST BE READY, SAFE AND ACCESSIBLE FOR UNLOADING FROM THE REAR OF THE TRUCK.
- MIN OVERHEAD CLEARANCE OF 18FT (5.5 METRES) IS REQUIRED
- ALL UNITS MUST BE HANDLED WITH PROPER LIFTING EQUIPMENT (I.E. SPREADER BAR)
- FOR INSTALLATIONS ON STONE BEDDING, THE ALLOWABLE BEARING PRESSURE AT THE UNDERSIDE OF THE VAULT BOX SECTION SHALL BE A MINIMUM OF 75KPA (S.L.S.)
- THIS BEARING PRESSURE IS ASSUMED AND SHALL BE CONFIRMED BY A QUALIFIED GEOTECHNICAL ENGINEER PRIOR TO INSTALLATION OF THE VAULT
- THE TRANSFORMER SHOULD BE UNIFORMLY DISTRIBUTED AND THE EDGE OF THE TRANSFORMER BASE SHALL BE SET WITHIN 150MM OF THE INTERIOR DIMENSIONS FOR THE BASE
- ALL EXPOSED EDGES TO HAVE 25MM CHAMFER



MANUFACTURED:
BROOKLIN, ON
1-800-655-3430

CONCRETE: 35MPa / 5,000PSI
AIR ENTRAINMENT: 5-8%
REINFORCEMENT : STEEL TO CSA
CAN A23.1 / A23.3. G30.18
Fy=400MPa

WEIGHT:
BCP104THO-01 -3,770lbs / 1,710kg
BCP104BHO -10,740lbs / 4,870kg

DRAWN BY:
N.CHAN

DATE:
JUN/2020

BCP104HO-01

INCLUDES: BCP104THO-01/ BCP104BHO