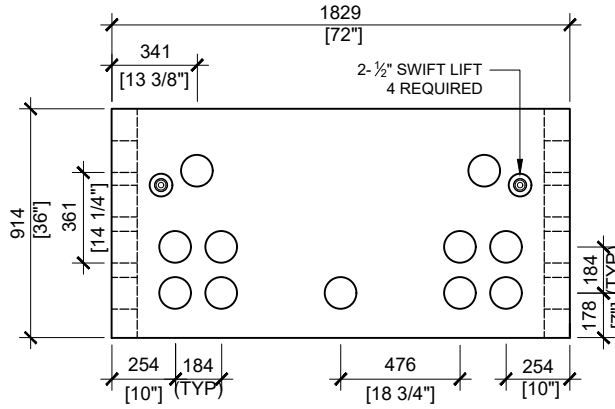
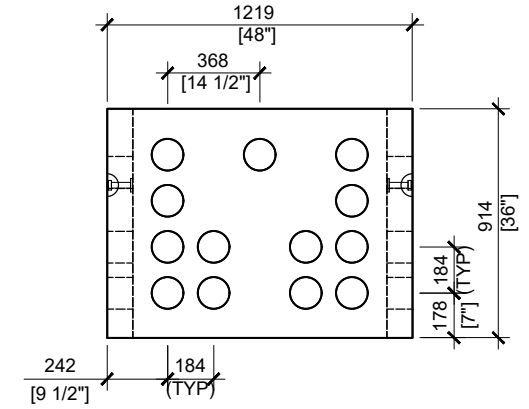


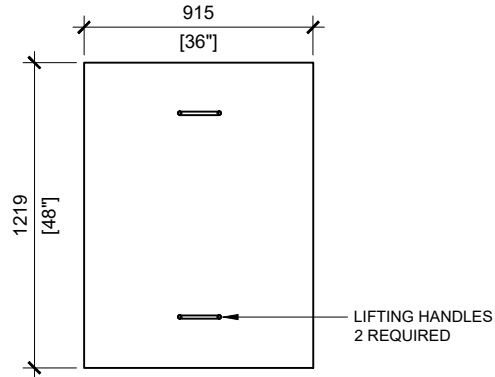
BCP112PC TOP VIEW
SCALE:1/30



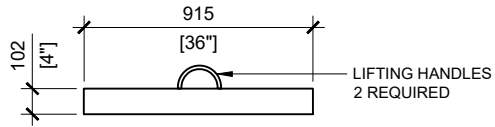
BCP112PC FRONT VIEW
SCALE:1/30



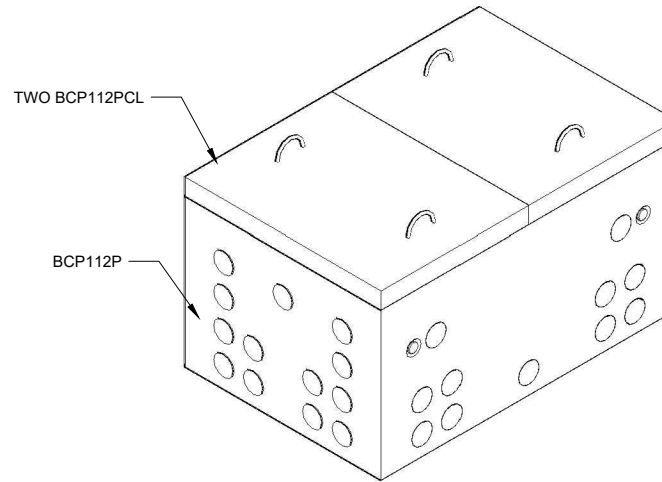
BCP112PC RIGHT VIEW
SCALE:1/30



BCP112PC LID TOP VIEW
SCALE:1/30



BCP112PC LID FRONT VIEW
SCALE:1/30



GENERAL NOTES:

1. CABLE ENTRY OPENINGS - 4 $\frac{3}{4}$ " PVC SEALS
2. DELIVERY IS MADE BY CRANE-EQUIPPED TRUCKS, EXCAVATION MUST BE READY, SAFE AND ACCESSIBLE FOR UNLOADING FROM THE REAR OF THE TRUCK.
3. MIN OVERHEAD CLEARANCE OF 18FT IS REQUIRED.
4. ALL UNITS MUST BE HANDLED WITH PROPER LIFTING EQUIPMENT (I.E. SPREADER BAR)



MANUFACTURED:
BROOKLIN, ON
1-800-655-3430

CONCRETE: 35MPa / 5,000PSI
AIR ENTRAINMENT: 6-8%
REINFORCEMENT : STEEL TO CSA
CAN A23.1 / A23.3. G30.18 Fy=400MPa

WEIGHT:
BCP112P- 3,625lbs / 1,590kg
BCP112PCL- 590lbs / 270kg

DRAWN BY:
S.RIMLAND

DATE:
AUG/2017

BCP112PC

PRECAST CONCRETE PULLING CHAMBER