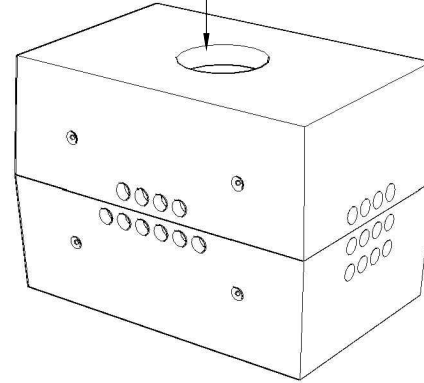


TOP VIEW
SCALE: 1/40

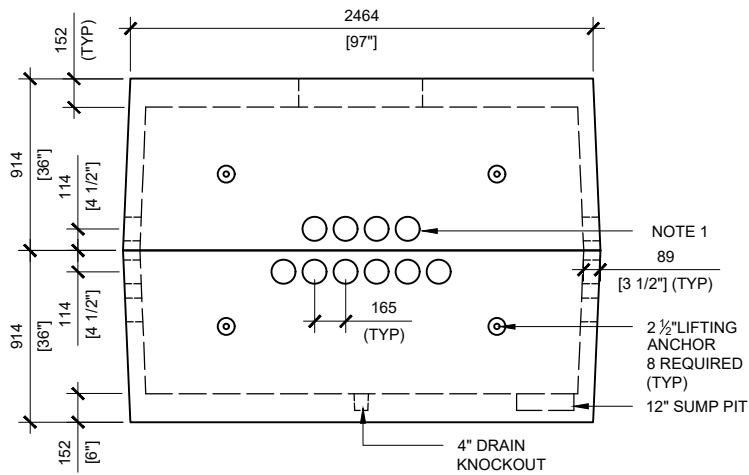
MANHOLE OPENING
LOCATION & SIZE MAY BE
MODIFIED AS REQUIRED



GENERAL NOTES:

1. CABLE ENTRY OPENINGS - 4 3/4" PVC SEALS
2. DELIVERY IS MADE BY CRANE-EQUIPPED TRUCKS
3. EXCAVATION MUST BE READY, SAFE AND ACCESSIBLE FOR UNLOADING FROM THE REAR OF THE TRUCK.
4. MIN OVERHEAD CLEARANCE OF 18FT (5.5 METRES) IS REQUIRED
5. ALL UNITS MUST BE HANDLED WITH PROPER LIFTING EQUIPMENT (I.E. SPREADER BAR)

* TYPICAL USE WOULD REQUIRE JW150 CAST IRON FRAME AND COVER (OPSD 401.01)



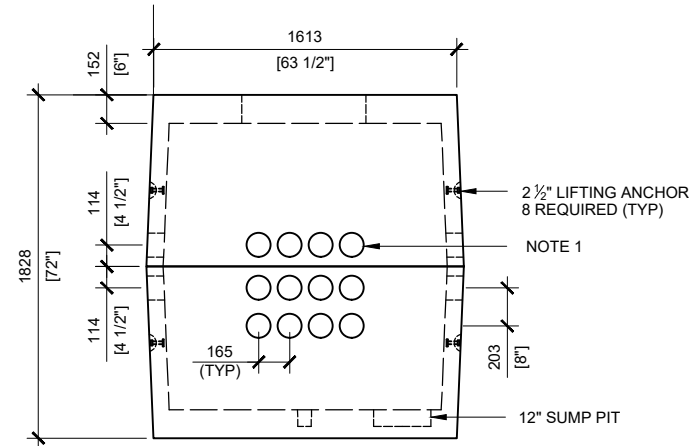
FRONT VIEW
SCALE: 1/40

NOTE 1
89

[3 1/2\"] (TYP)

2 1/2\" LIFTING ANCHOR
8 REQUIRED (TYP)

12\" SUMP PIT



RIGHT VIEW
SCALE: 1/40

NOTE 1

[3 1/2\"] (TYP)

2 1/2\" LIFTING ANCHOR
8 REQUIRED (TYP)

12\" SUMP PIT



MANUFACTURED:
BROOKLIN, ON
1-800-655-3430

CONCRETE: 35MPa / 5,000PSI
AIR ENTRAINMENT: 5-8%
REINFORCEMENT : STEEL TO CSA
CAN A23.1 / A23.3, G30.18
Fy=400MPa

WEIGHT:
BCP113MH -10,300lbs / 4,680kg

DRAWN BY:
S.RIMLAND

DATE:
MAY/2020

BCP113MH

PRECAST CONCRETE UTILITY MANHOLE
FOR BOULEVARD USE