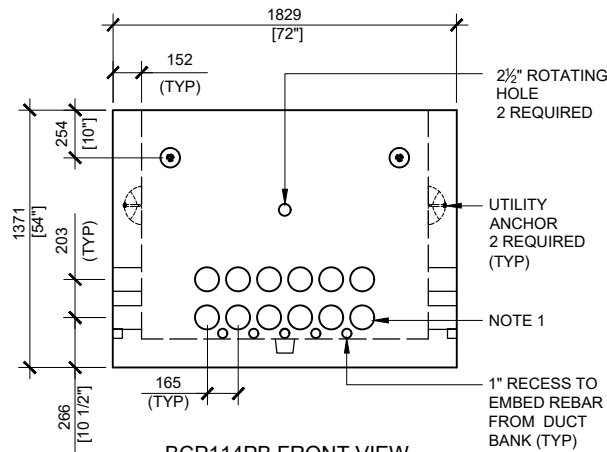
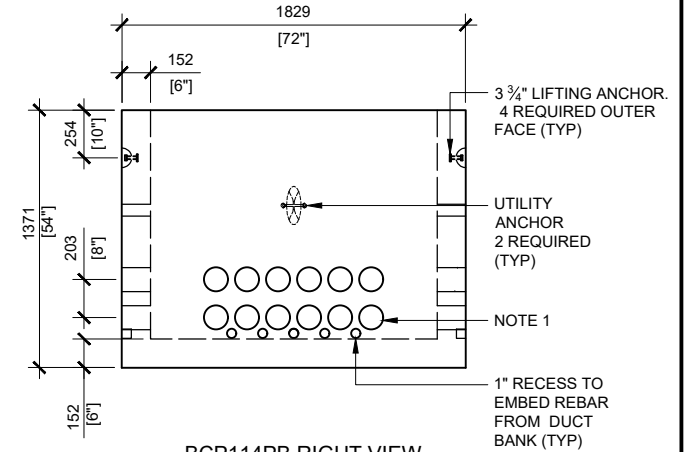


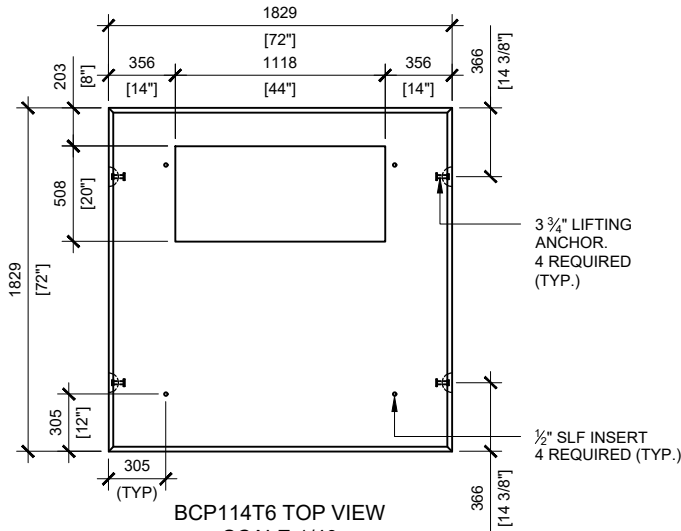
BCP114PB TOP VIEW  
SCALE:1/40



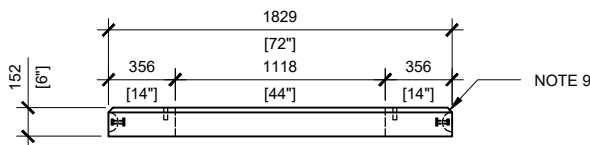
BCP114PB FRONT VIEW  
SCALE:1/40



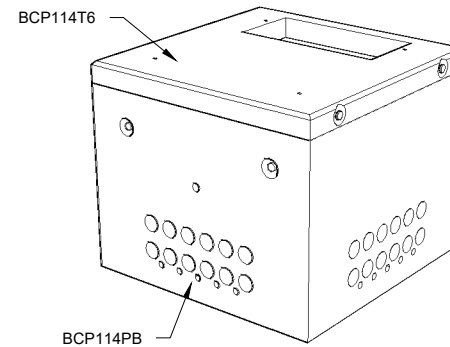
BCP114PB RIGHT VIEW  
SCALE:1/40



BCP114T6 TOP VIEW  
SCALE:1/40



BCP114T6 FRONT VIEW  
SCALE:1/40



**GENERAL NOTES:**

1. CABLE ENTRY OPENINGS - 4 3/4" PVC SEALS
2. DELIVERY IS MADE BY CRANE-EQUIPPED TRUCKS
3. EXCAVATION MUST BE READY, SAFE AND ACCESSIBLE FOR UNLOADING FROM THE REAR OF THE TRUCK.
4. MIN OVERHEAD CLEARANCE OF 18FT (5.5 METRES) IS REQUIRED
5. ALL UNITS MUST BE HANDLED WITH PROPER LIFTING EQUIPMENT (I.E. SPREADER BAR)
6. FOR INSTALLATIONS ON STONE BEDDING, THE ALLOWABLE BEARING PRESSURE AT THE UNDERSIDE OF THE VAULT BOX SECTION SHALL BE A MINIMUM OF 75KPA ( S.L.S.)
7. THIS BEARING PRESSURE IS ASSUMED AND SHALL BE CONFIRMED BY A QUALIFIED GEOTECHNICAL ENGINEER PRIOR TO INSTALLATION OF THE VAULT
8. THE TRANSFORMER SHOULD BE UNIFORMLY DISTRIBUTED AND THE EDGE OF THE TRANSFORMER BASE SHALL BE SET WITHIN 150MM OF THE INTERIOR DIMENSIONS FOR THE BASE
9. TOP EDGES TO HAVE CHAMFER



**MANUFACTURED:**  
LINDSAY, ON  
1-800-655-3430

**CONCRETE:** 35MPa / 5,000PSI  
**AIR ENTRAINMENT:** 5-8%  
**REINFORCEMENT :** STEEL TO CSA  
CAN A23.1 / A23.3. G30.18 Fy=400MPa

**WEIGHT:**  
BCP114T6 - 2,200lbs / 1,000kg  
BCP114PB - 8,700lbs / 3,945kg

**DRAWN BY:**  
PRASHAN

**DATE:**  
AUG/2023

**BCP114HO-04**

**INCLUDES:** BCP114T6/ BCP114PB