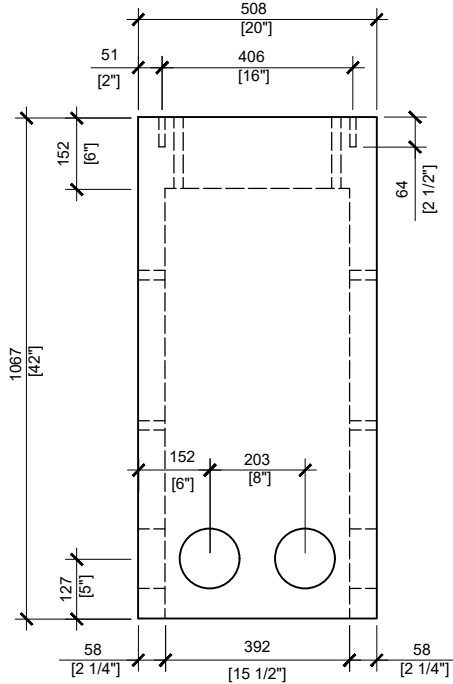
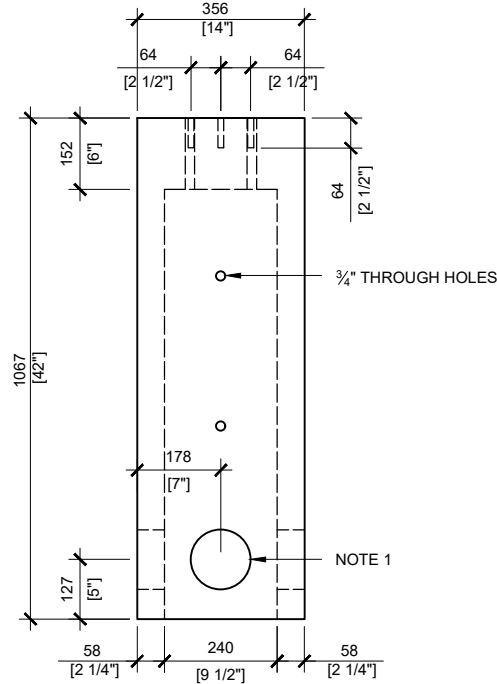


* BOLTING PATTERN
DESIGNED TO MOUNT
PEDESTAL SOLUTIONS INC.
SLS & SLT MODELS

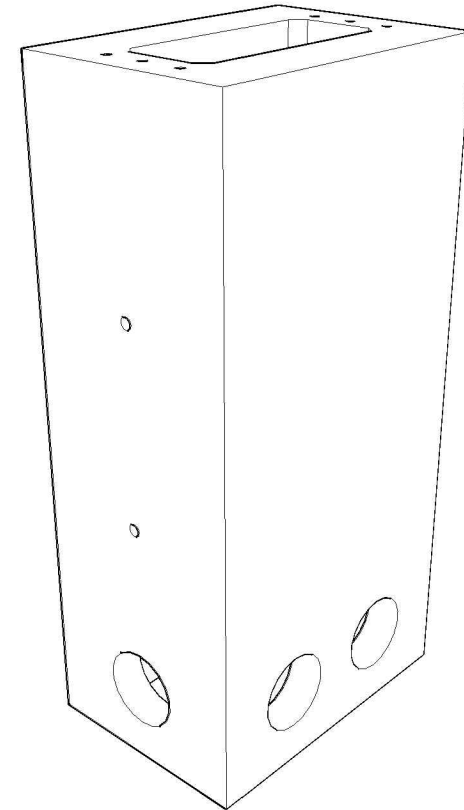
1/2" N.C. PLASTIC
THREAD INSERTS
4 REQUIRED (TYP.)
TOP VIEW
SCALE:1/16



FRONT VIEW
SCALE:1/16



RIGHT VIEW
SCALE:1/16



GENERAL NOTES:

1. CABLE ENTRY OPENINGS - 4-3/4" PVC SEALS
2. DELIVERY IS MADE BY CRANE-EQUIPPED TRUCKS
3. EXCAVATION MUST BE READY, SAFE AND ACCESSIBLE FOR UNLOADING FROM THE REAR OF THE TRUCK.
4. MIN OVERHEAD CLEARANCE OF 18FT (5.5 METRES) IS REQUIRED
5. ALL UNITS MUST BE HANDLED WITH PROPER LIFTING EQUIPMENT (I.E. SPREADER BAR)



MANUFACTURED:
BROOKLIN, ON
1-800-655-3430

CONCRETE: 35MPa / 5,000PSI
AIR ENTRAINMENT: 5-8%
REINFORCEMENT : STEEL TO CSA CAN
A23.1 / A23.3. G30.18 Fy=400MPa

WEIGHT:
BCP20PED- 540lbs / 240kg

DRAWN BY:
N.CHAN

DATE:
JUL/2020

BCP20PED

FOUNDATION FOR METER OR STREETLIGHT PEDESTAL