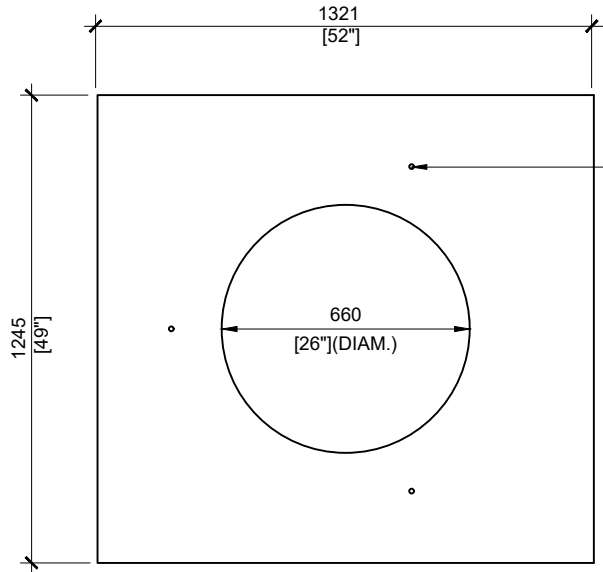
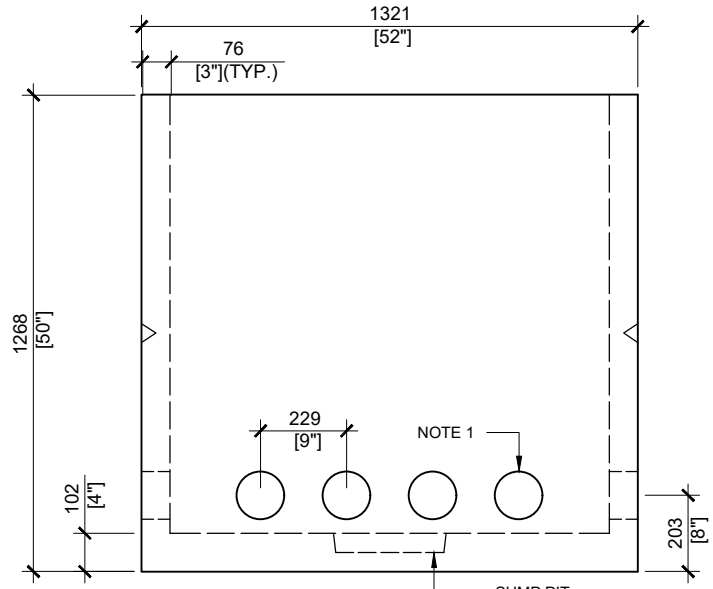
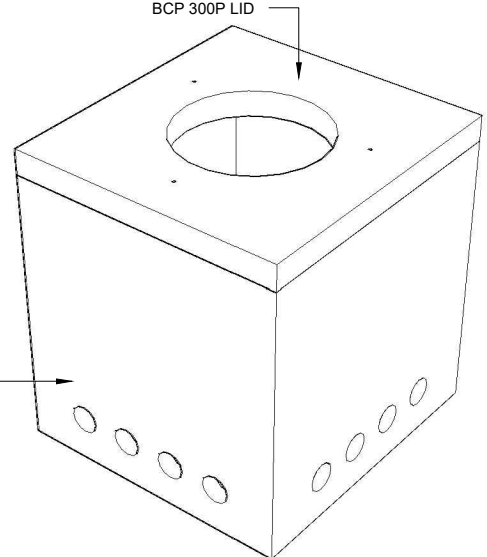


TOP VIEW
SCALE:1/20

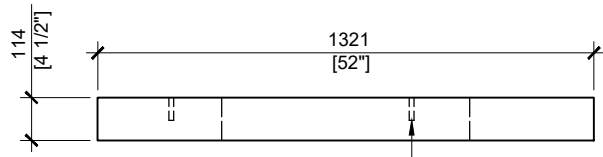


LID TOP VIEW
SCALE:1/20

1/2" SLF INSERTS
3 REQUIRED



FRONT VIEW
SCALE:1/20



LID FRONT VIEW
SCALE:1/20

1/2" SLF INSERTS
3 REQUIRED

GENERAL NOTES:

1. CABLE ENTRY OPENINGS - 4-3/4" PVC SEALS
 2. DELIVERY IS MADE BY CRANE-EQUIPPED TRUCKS
 3. EXCAVATION MUST BE READY, SAFE AND ACCESSIBLE FOR UNLOADING FROM THE REAR OF THE TRUCK.
 4. MIN OVERHEAD CLEARANCE OF 18FT IS REQUIRED
 5. ALL UNITS MUST BE HANDLED WITH PROPER LIFTING EQUIPMENT (I.E. SPREADER BAR)
- * TYPICAL USE WOULD REQUIRE JW150 CAST IRON FRAME AND COVER (OPSD 401.01)



MANUFACTURED:
BROOKLIN, ON
1-800-655-3430

CONCRETE: 35MPa / 5,000PSI
AIR ENTRAINMENT: 6-8%
REINFORCEMENT : STEEL TO CSA CAN
A23.1 / A23.3. G30.18 Fy=400MPa

WEIGHT:
BCP300P- 3,675lbs / 1,710kg

DRAWN BY:
S.RIMLAND

DATE:
AUG/2017

BCP300P

PRECAST CONCRETE JUNCTION BOX