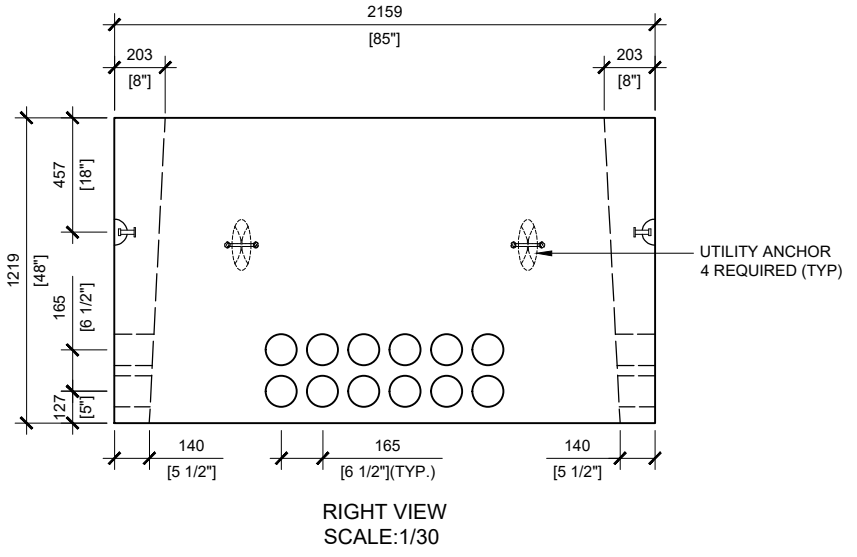
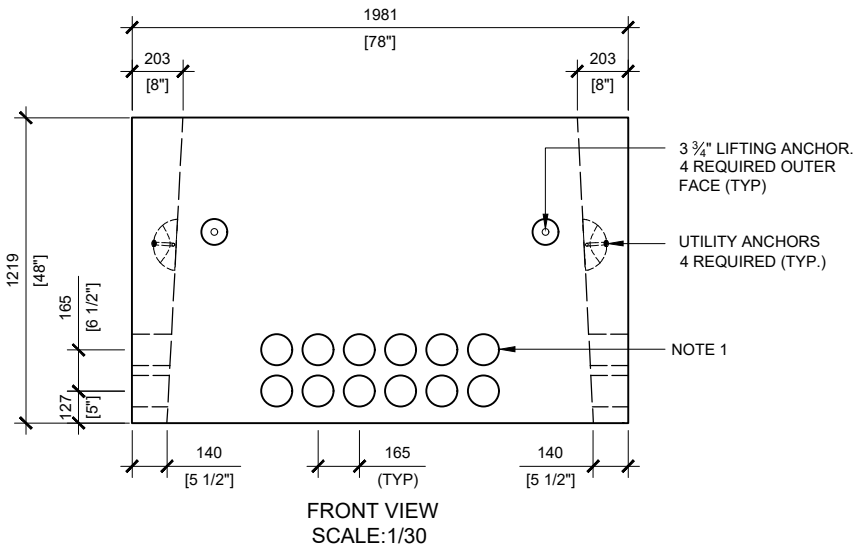
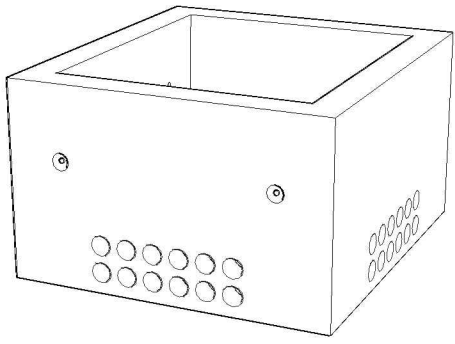


- GENERAL NOTES:**
1. CABLE ENTRY OPENINGS - 4-3/4" PVC SEALS.
 2. DELIVERY IS MADE BY CRANE-EQUIPPED TRUCKS
 3. EXCAVATION MUST BE READY, SAFE AND ACCESSIBLE FOR UNLOADING FROM THE REAR OF THE TRUCK.
 4. MIN OVERHEAD CLEARANCE OF 18FT (5.5 METRES) IS REQUIRED
 5. ALL UNITS MUST BE HANDLED WITH PROPER LIFTING EQUIPMENT (I.E. SPREADER BAR)



MANUFACTURED:
BROOKLIN, ON
1-800-655-3430

CONCRETE: 35MPa / 5,000PSI
AIR ENTRAINMENT: 5-8%
REINFORCEMENT : STEEL TO CSA
CAN A23.1 / A23.3. G30.18 Fy=400MPa

WEIGHT
BCP330P - 7,640lbs / 3,473kg

DRAWN BY:
N.CHAN
DATE:
JUL/2020

BCP330P

FOUNDATION FOR PADMOUNT TRANSFORMER