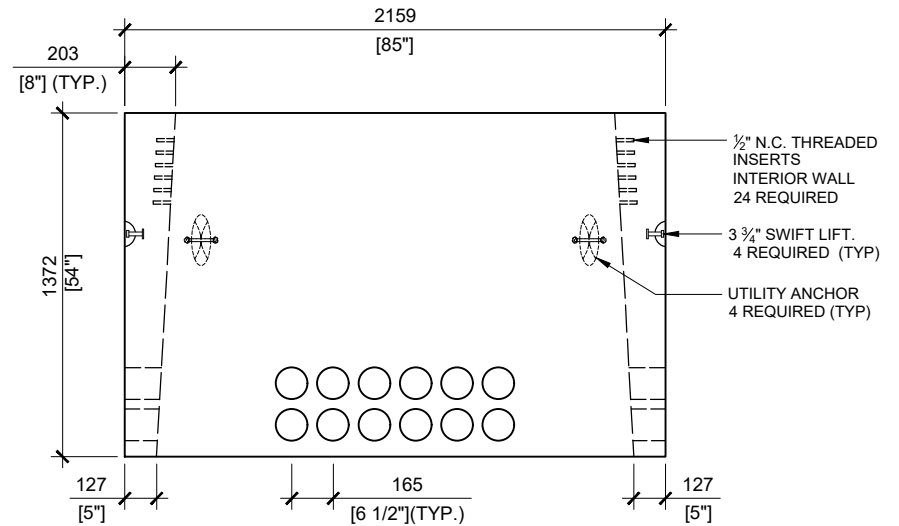
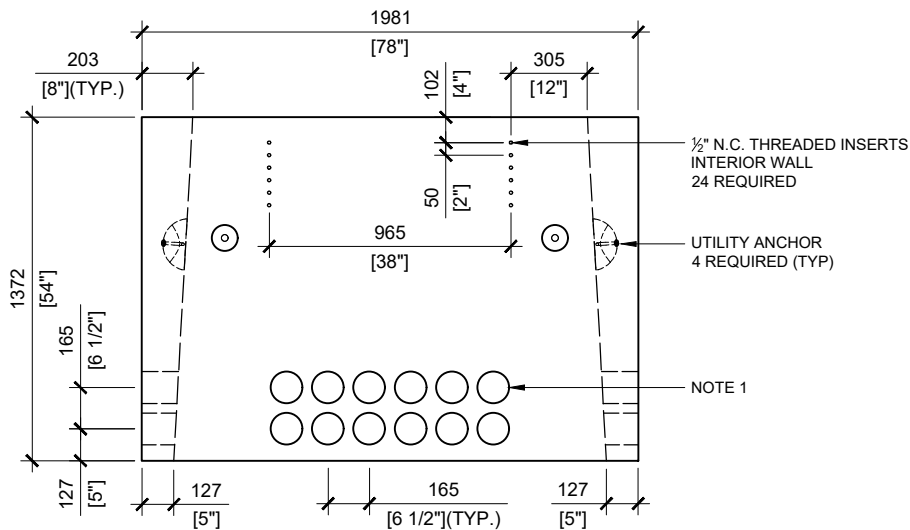


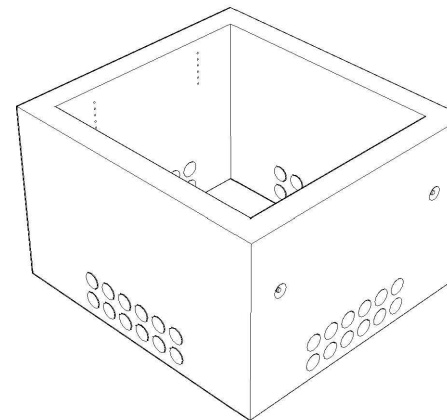
TOP VIEW  
SCALE:1/30



RIGHT VIEW  
SCALE:1/30



FRONT VIEW  
SCALE:1/30



**GENERAL NOTES:**

1. CABLE ENTRY OPENINGS - 4-3/4" PVC SEALS
2. DELIVERY IS MADE BY CRANE-EQUIPPED TRUCKS
3. EXCAVATION MUST BE READY, SAFE AND ACCESSIBLE FOR UNLOADING FROM THE REAR OF THE TRUCK.
4. MIN OVERHEAD CLEARANCE OF 18FT IS REQUIRED
5. ALL UNITS MUST BE HANDLED WITH PROPER LIFTING EQUIPMENT (I.E. SPREADER BAR)



MANUFACTURED:  
BROOKLIN, ON  
1-800-655-3430

CONCRETE: 35MPa / 5,000PSI  
AIR ENTRAINMENT: 6-8%  
REINFORCEMENT : STEEL TO  
CSA CAN A23.1 / A23.3. G30.18  
Fy=400MPa

WEIGHT:  
BCP330PB -8,250lbs / 3,750kgs

DRAWN BY:  
S.RIMLAND

DATE:  
JAN/2019

**BCP330PB**

FOUNDATION FOR PADMOUNT TRANSFORMER