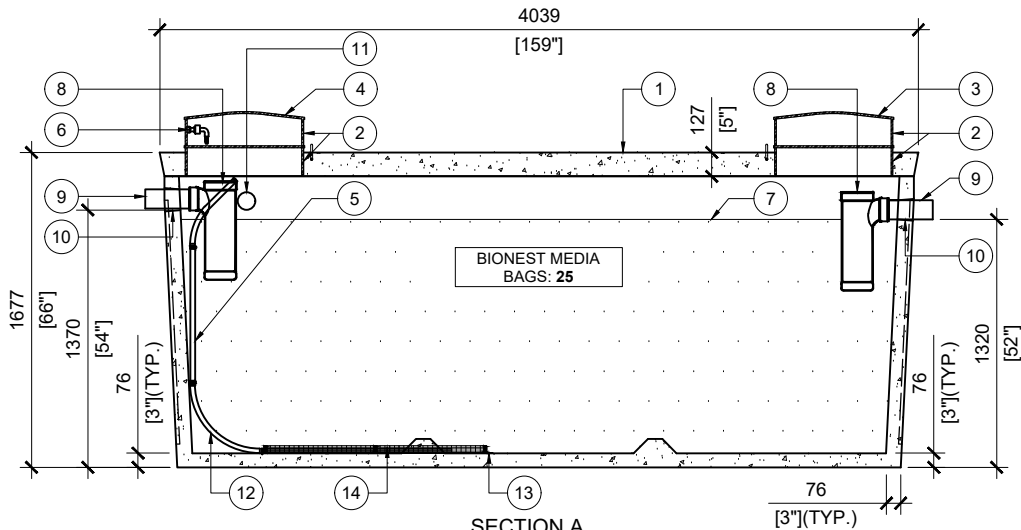
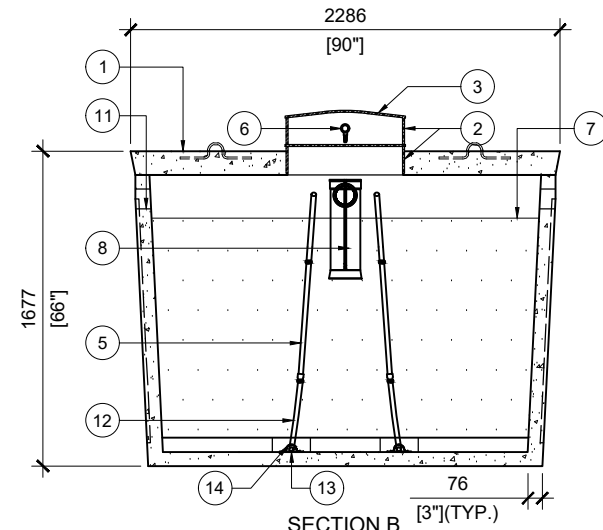


TOP VIEW  
SCALE: 1/40



SECTION A  
SCALE: 1/40



SECTION B  
SCALE: 1/40

BTT-3900-BCP REACTOR			
POS.	ITEM #	DESCRIPTION	QUANTITY
1	413575	BTT-3900-BCP BIONEST REACTOR	1
2	408167	POLYLOK PLASTIC RISER 24" dia X 6" h	4
3	450046	POLYLOK LID 24" dia - VENTED COVER	1
4	450046	POLYLOK LID 24" dia - DOMED	1
5	*SUPPLIED BY BIONEST*	FLEXIBLE AIR DIFFUSER (2 x 1m)	1
6	*SUPPLIED BY BIONEST*	AIR LINE PIPE / MANIFOLD 2 OUTLETS	1
7	*SUPPLIED BY BIONEST*	BIONEST MEDIA BAG	25
8	408144	TUF-TITE EF-6" T-BAFFLE	2
9	408038	4 x 10" SOLID SEWER PIPE	2
10	112167	4" CAST.A.SEAL #452.0450	2
11	112622	4" CAST.A.SEAL #452.0450 (CLOSED FACE)	2
12	*SUPPLIED BY BIONEST*	Ø1-1/2" PVC ELBOW 90° BELL-END TO FACE UPWARD	2
13	*SUPPLIED BY BIONEST*	ABS PLASTIC STRIPS 5" x 24"	4
14	*SUPPLIED BY BIONEST*	AIR DIFFUSER CAGE 3.5" x 23"	4

- GENERAL NOTES:**
1. UNITS ARE SEALED WITH BUTYL TAPE AT THE JOINTS
  2. DELIVERY IS MADE BY CRANE-EQUIPPED TRUCKS
  3. EXCAVATION MUST BE READY, SAFE AND ACCESSIBLE FOR UNLOADING FROM THE REAR OF THE TRUCK.
  4. MIN OVERHEAD CLEARANCE OF 18FT (5.5 METRES) IS REQUIRED
  5. ALL UNITS MUST BE HANDLED WITH PROPER LIFTING EQUIPMENT
  6. MAXIMUM BURIAL DEPTH = 1 METRE IN FIRM SOIL AWAY FROM ANY VEHICULAR TRAFFIC



MANUFACTURED:  
BROOKLIN, ON  
1-800-655-3430

CONCRETE: 35MPa at 28 days/5000PSI  
AIR ENTRAINMENT: 5-8%  
REINFORCEMENT: STEEL TO CSA CAN  
A23.1 /A23.3 G30.18 Fy=400MPa

WEIGHT: 17,895lbs / 8,120kg  
MEETS CAN/CSA-B66  
BNQ CERTIFIED

DRAWN BY:  
N.CHAN  
  
DATE:  
APR/2020

**BTT-3900-BCP BIONEST REACTOR**  
9000L / 2000 IMPERIAL GAL. BIONEST TANK  
WORKING CAPACITY: 9357L TO INVERT OF OUTLET  
TOTAL CAPACITY: 11168L TO UNDERSIDE OF CHAMBER LID