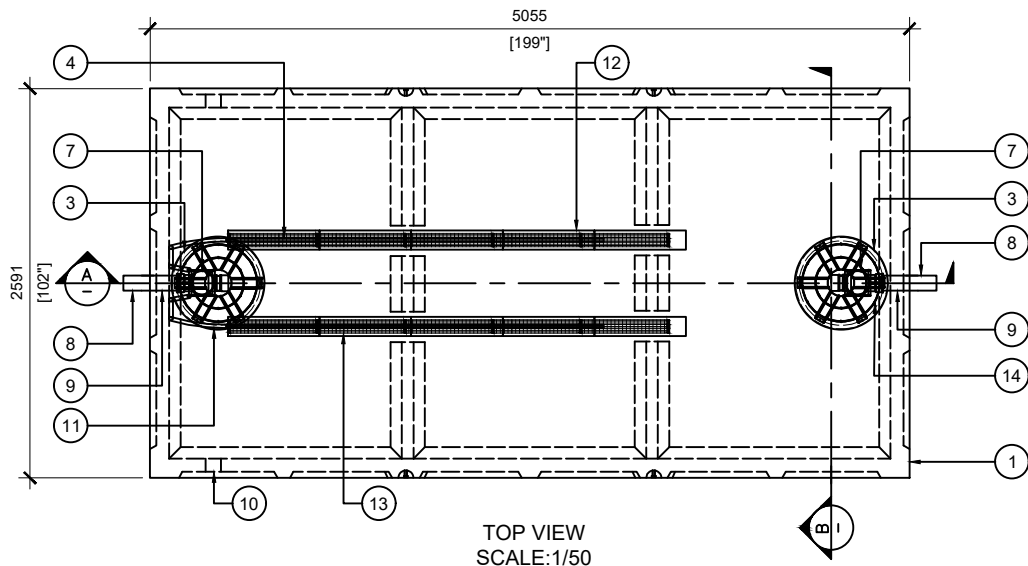


### BTT-10000-BCP REACTOR

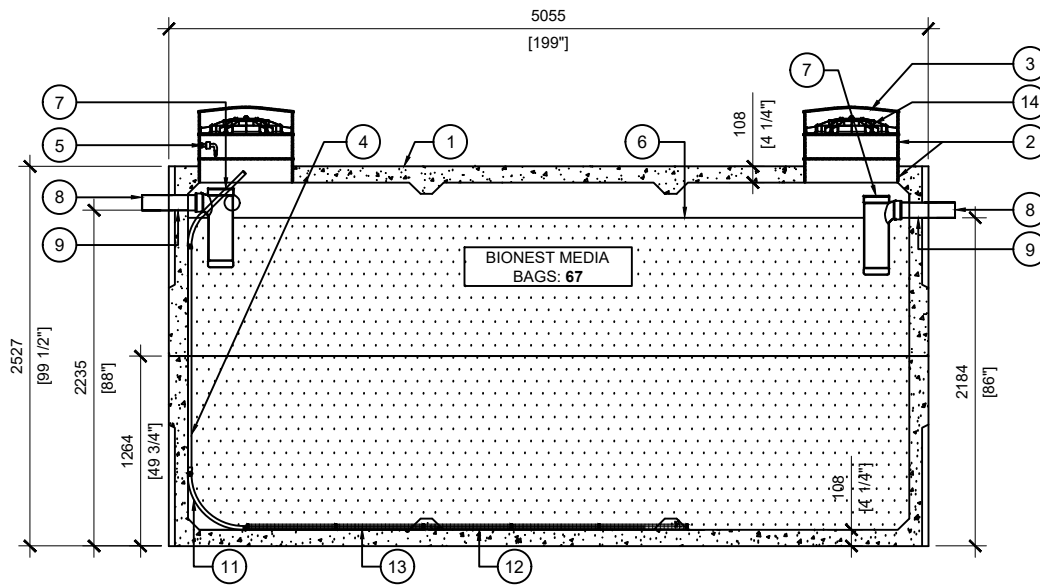
POS.	ITEM #	DESCRIPTION	QUANTITY
1	413582	BTT-10000-BCP BIONEST REACTOR	1
2	408167	POLYLOK PLASTIC RISER 24" dia X 6"h	6
3	450046	POLYLOK LID 24" dia - VENTED COVER	2
4	*SUPPLIED BY BIONEST*	FLEXIBLE AIR DIFFUSER (2.5m) (1.35m from seem to top of diffuser)	2
5	*SUPPLIED BY BIONEST*	AIR LINE PIPE / MANIFOLD 2 OULETS	2
6	*SUPPLIED BY BIONEST*	BIONEST MEDIA BAG	67
7	408144	TUF-TITE EF-6" T-BAFFLE	2
8	112707	4 x 16" SOLID SEWER PIPE	2
9	112167	4" CAST.A.SEAL #452.0450	2
10	112622	4" CAST.A.SEAL #452.0450 (CLOSED FACE)	2
11	*SUPPLIED BY BIONEST*	Ø1-1/2" PVC ELBOW 90° BELL-END TO FACE UPWARD	2
12	*SUPPLIED BY BIONEST*	ABS PLASTIC STRIPS 5" x 24"	10
13	*SUPPLIED BY BIONEST*	AIR DIFFUSER CAGE 3.5" x 23"	10
14	450103	POLYLOK 24" SAFETY LID	2

#### GENERAL NOTES:

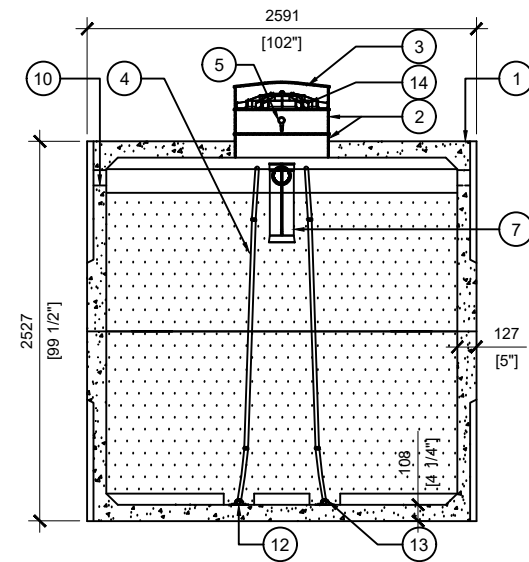
- UNITS ARE SEALED WITH BUTYL TAPE AT THE JOINTS
- DELIVERY IS MADE BY CRANE-EQUIPPED TRUCKS
- EXCAVATION MUST BE READY, SAFE AND ACCESSIBLE FOR UNLOADING FROM THE REAR OF THE TRUCK.
- MIN OVERHEAD CLEARANCE OF 18FT (5.5 METRES) IS REQUIRED
- ALL UNITS MUST BE HANDLED WITH PROPER LIFTING EQUIPMENT
- MAXIMUM BURIAL DEPTH = 1 METRE IN FIRM SOIL AWAY FROM ANY VEHICULAR TRAFFIC



TOP VIEW  
SCALE: 1/50



SECTION A  
SCALE: 1/50



SECTION B  
SCALE: 1/50



MANUFACTURED:  
BROOKLIN, ON  
1-800-655-3430

CONCRETE: 35MPa at 28 days/5000PSI  
AIR ENTRAINMENT: 5-8%  
REINFORCEMENT: STEEL TO CSA CAN  
A23.1 /A23.3 G30.18 Fy=400MPa

WEIGHT: 34,870lbs / 15,820kg  
BOTTOM: 17,690lbs / 8,024kg  
TOP: 17,180lbs / 7,792kg  
MEETS CAN/CSA-B66  
BNQ CERTIFIED

DRAWN BY:  
JAY PATEL

DATE:  
MAY/2022

**BTT-10000-BCP BIONEST REACTOR**  
22750L / 5000 IMPERIAL GAL. BIONEST TANK

WORKING CAPACITY: 23,251L TO INVERT OF OUTLET  
TOTAL CAPACITY: 25,852L TO UNDERSIDE OF CHAMBER LID