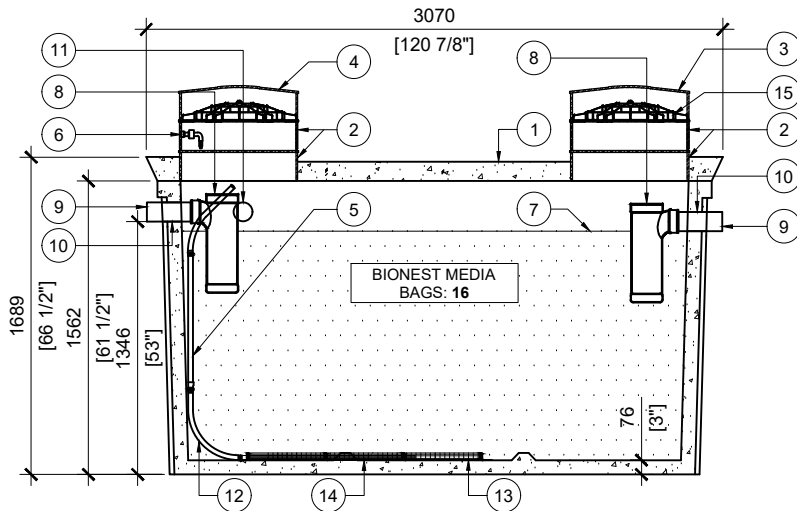


TOP VIEW
SCALE:1/30



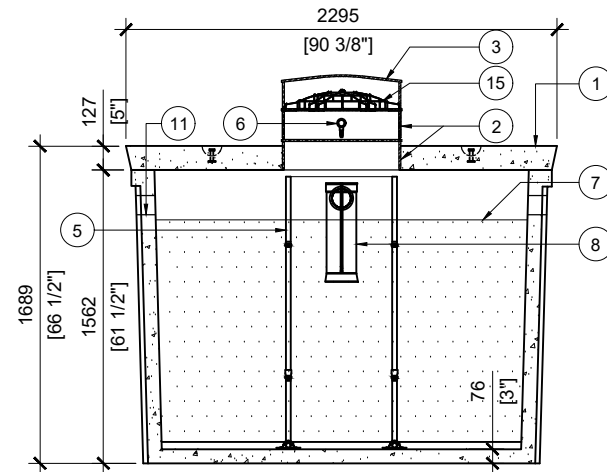
SECTION A
SCALE:1/30

BTT-2750-BCP REACTOR

| POS. | ITEM # | DESCRIPTION | QUANTITY |
|------|-----------------------|---|----------|
| 1 | 413571 | BTT-2750-BCP BIONEST REACTOR | 1 |
| 2 | 408167 | POLYLOK PLASTIC RISER 24" dia X 6" h | 6 |
| 3 | 450046 | POLYLOK LID 24" dia - VENTED COVER | 1 |
| 4 | 450046 | POLYLOK LID 24" dia - DOMED | 1 |
| 5 | *SUPPLIED BY BIONEST* | FLEXIBLE AIR DIFFUSER (1.0m) | 2 |
| 6 | *SUPPLIED BY BIONEST* | AIR LINE PIPE | 1 |
| 7 | *SUPPLIED BY BIONEST* | BIONEST MEDIA BAG | 16 |
| 8 | 408144 | TUF-TITE EF-6" T-BAFFLE | 2 |
| 9 | 112707 | 4 x 16" SOLID SEWER PIPE | 2 |
| 10 | 112167 | 4" CAST.A.SEAL #452.0450 | 2 |
| 11 | 112622 | 4" CAST.A.SEAL #452.0450 (CLOSED FACE) | 2 |
| 12 | *SUPPLIED BY BIONEST* | Ø1-1/2" PVC ELBOW 90° BELL-END TO FACE UPWARD | 2 |
| 13 | *SUPPLIED BY BIONEST* | ABS PLASTIC STRIPS 5" x 24" | 4 |
| 14 | *SUPPLIED BY BIONEST* | AIR DIFFUSER CAGE 3.5" x 23" | 4 |
| 15 | 450103 | POLYLOK 24" SAFETY LID | 2 |

GENERAL NOTES:

1. UNITS ARE SEALED WITH BUTYL TAPE AT THE JOINTS
2. DELIVERY IS MADE BY CRANE-EQUIPPED TRUCKS
3. EXCAVATION MUST BE READY, SAFE AND ACCESSIBLE FOR UNLOADING FROM THE REAR OF THE TRUCK.
4. MIN OVERHEAD CLEARANCE OF 18FT (5.5 METRES) IS REQUIRED
5. ALL UNITS MUST BE HANDLED WITH PROPER LIFTING EQUIPMENT
6. MAXIMUM BURIAL DEPTH = 1 METRE IN FIRM SOIL AWAY FROM ANY VEHICULAR TRAFFIC



SECTION B
SCALE:1/30



MANUFACTURED:
LINDSAY, ON
1-800-655-3430

CONCRETE: 35MPa at 28 days/5000PSI
AIR ENTRAINMENT: 5-8%
REINFORCEMENT: STEEL TO CSA CAN
A23.1 /A23.3 G30.18 Fy=400MPa

UNIT WEIGHT: 14,174lbs / 6,429kg
MEETS CAN/CSA-B66
BNQ CERTIFIED

DRAWN BY:
PRASHAN

DATE:
MAR/2024

BTT-2750-BCP BIONEST REACTOR

6135L / 1350 IMPERIAL GAL. BIONEST TANK

WORKING CAPACITY: 6292L TO INVERT OF OUTLET
TOTAL CAPACITY: 7711L TO UNDERSIDE OF CHAMBER LID