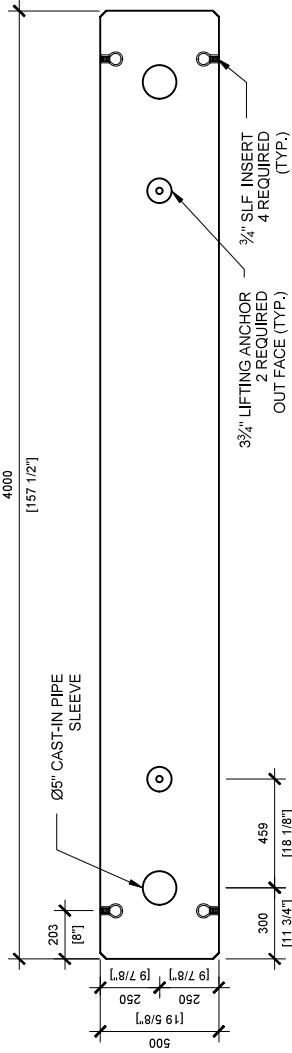
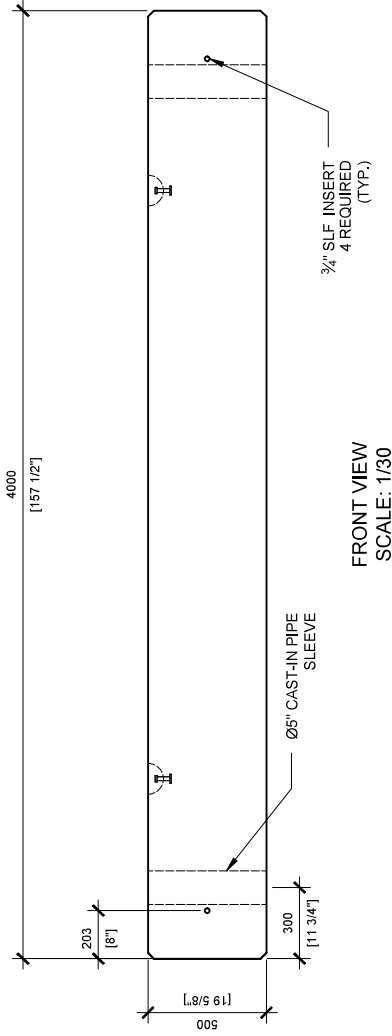
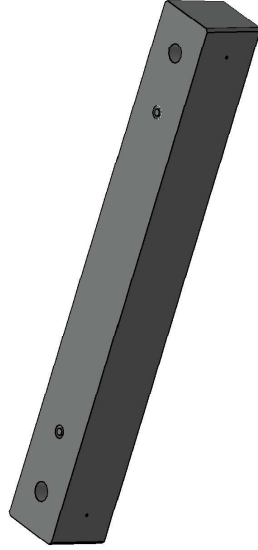


GENERAL NOTES:

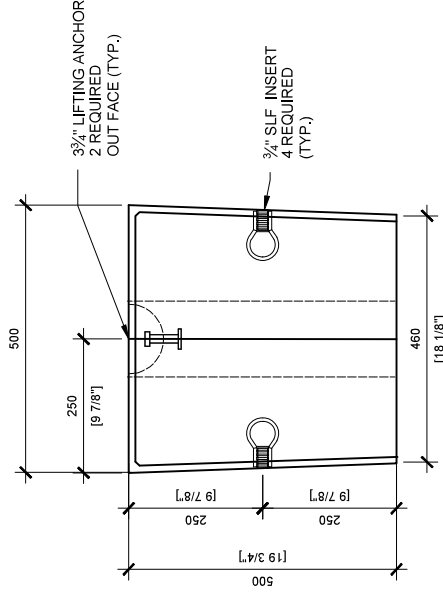
1. DELIVERY IS MADE BY CRANE-EQUIPPED TRUCKS.
2. MIN OVERHEAD CLEARANCE OF 18FT (5.5 METRES) IS REQUIRED.
3. ALL UNITS MUST BE HANDLED WITH PROPER LIFTING EQUIPMENT.
4. ALL DIMENSIONS ARE IN MILLIMETERS UNLESS OTHERWISE SHOWN.
5. POLE BUNK DESIGNED FOR USE WITH BROOKLIN CONCRETE SUPPLIED PIPES.
6. IF PLACED IN SERIES, CONTRACTOR TO CONNECT POLE BUNKS USING SUPPLIED PLATES AND HARDWARE.
7. DRY SAND TO BE PLACED IN VOID BETWEEN POLE AND CASING BY CONTRACTOR.
8. LOAD CAPACITY: 450 KG/M3
9. 150 kPa (SL) MINIMUM SOIL BEARING CAPACITY



PLAN VIEW
SCALE: 1/30



FRONT VIEW
SCALE: 1/30



SIDE VIEW
SCALE: 1/20



MANUFACTURED:
BROOKLIN, ON
1-800-655-9430

CONCRETE: 35MPa at 28 days/5000PSI APPROX. WEIGHT: 5,390 lbs / 2,450 kg
AIR ENTRAINMENT: 5-6%
REINFORCEMENT: STEEL TO CSA CAN
A23.1 /A23.3 G30.18 Fy=400MPa

SHEET: 2/3

DRAWN BY:
JAY PATEL

DATE:
MAY/2022

CASTING LAYOUT

PRECAST UTILITY POLE BUNK