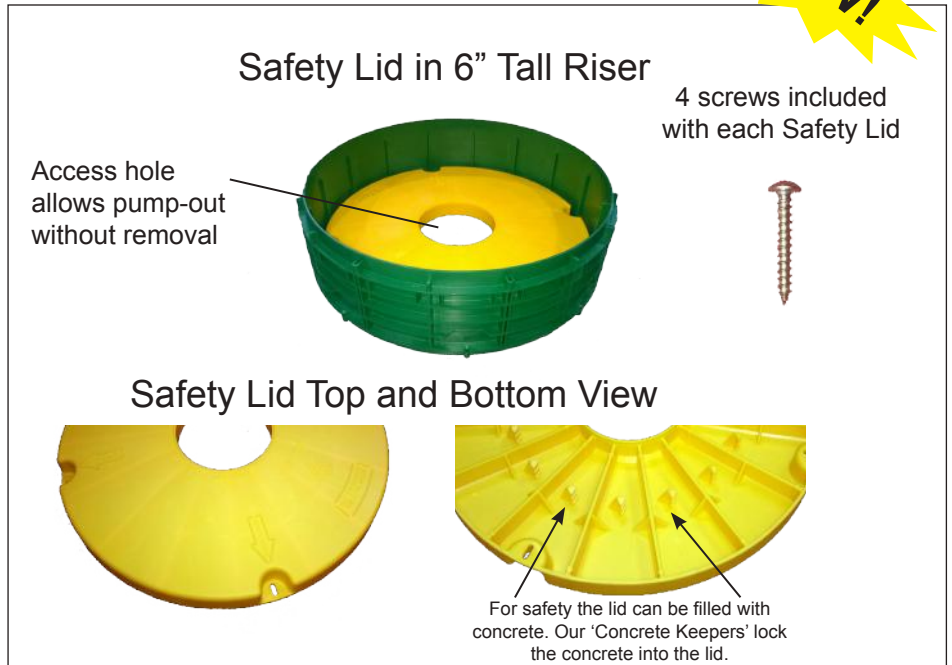


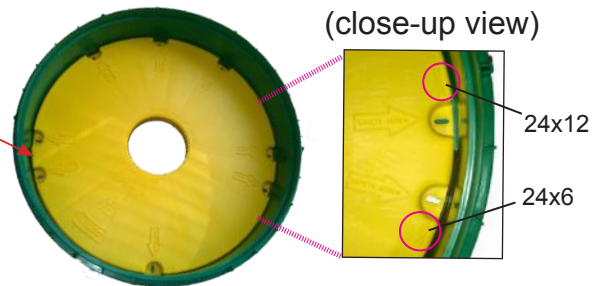
# SAFETY LIDS

**NEW!**

## Tuf-Tite Riser System



24"-RISL-FLAT-SL is made with 2 sets of screw holes for proper alignment in 6" tall and 12" tall risers.



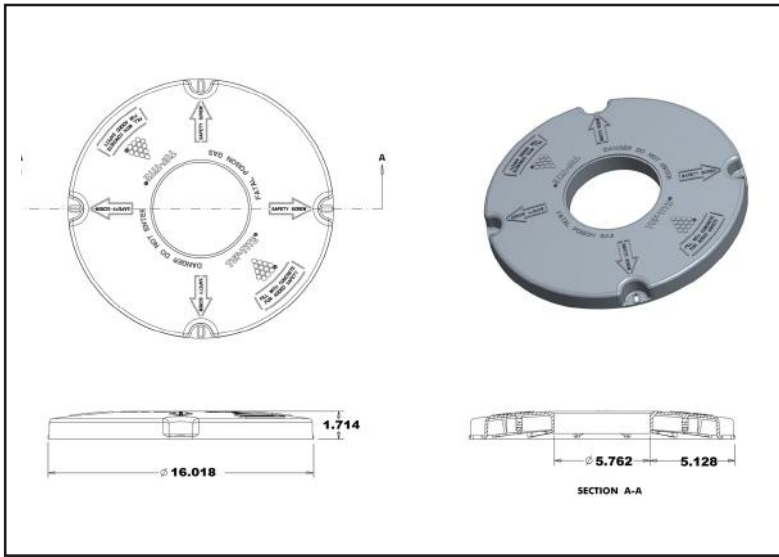
Available in 2 diameters.

Size	Part No.	Qty / Carton
16"	16-RISL-FLAT-SL	30
24"	24-RISL-FLAT-SL	17



## New Safety Lid Drawings

16" Safety Lid Drawing



24" Safety Lid Drawing

