

SAFETY LIDS

NEW!


Tuf-Tite Riser System



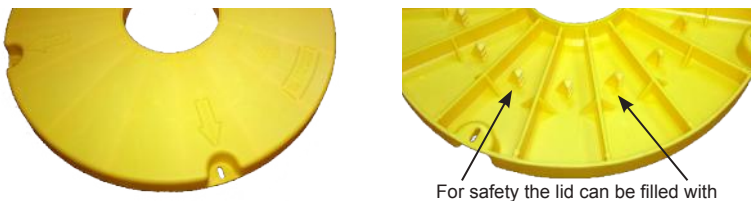
Safety Lid in 6" Tall Riser

Access hole allows pump-out without removal

4 screws included with each Safety Lid

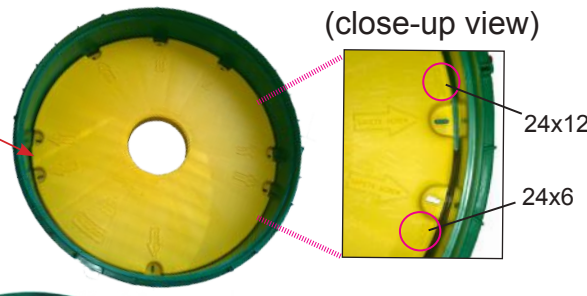


Safety Lid Top and Bottom View



For safety the lid can be filled with concrete. Our 'Concrete Keepers' lock the concrete into the lid.

24"-RISL-FLAT-SL is made with 2 sets of screw holes for proper alignment in 6" tall and 12" tall risers.



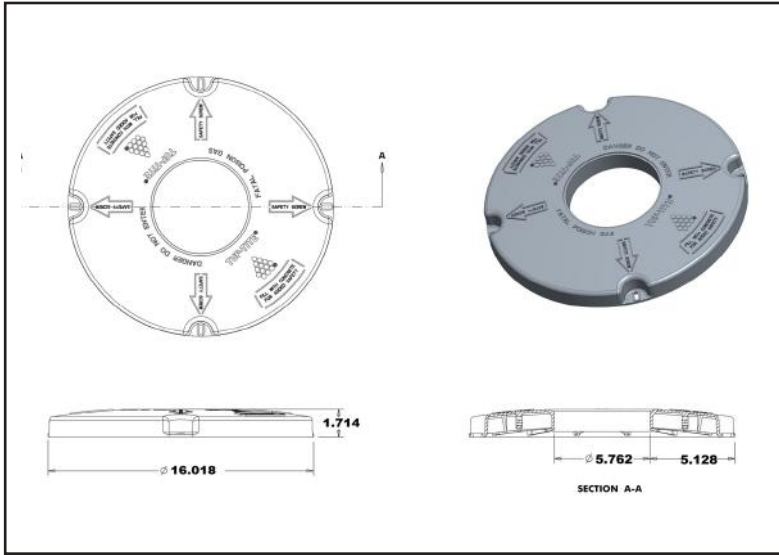
Available in 2 diameters.

Size	Part No.	Qty / Carton
16"	16-RISL-FLAT-SL	30
24"	24-RISL-FLAT-SL	17



New Safety Lid Drawings

16" Safety Lid Drawing



24" Safety Lid Drawing

