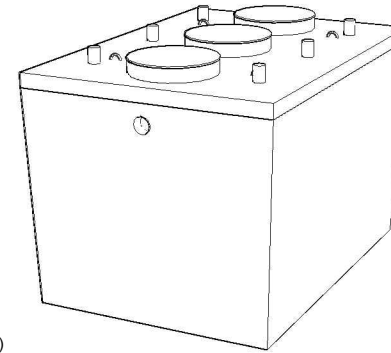
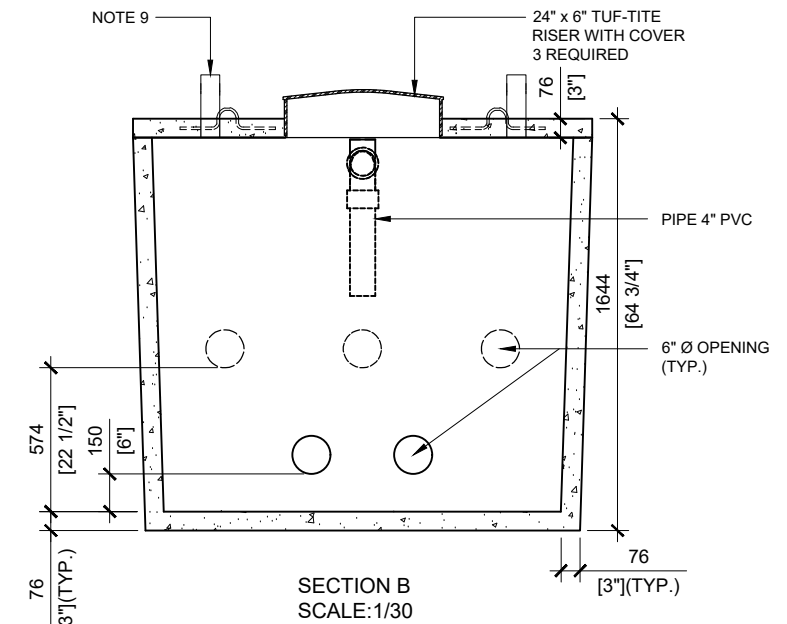
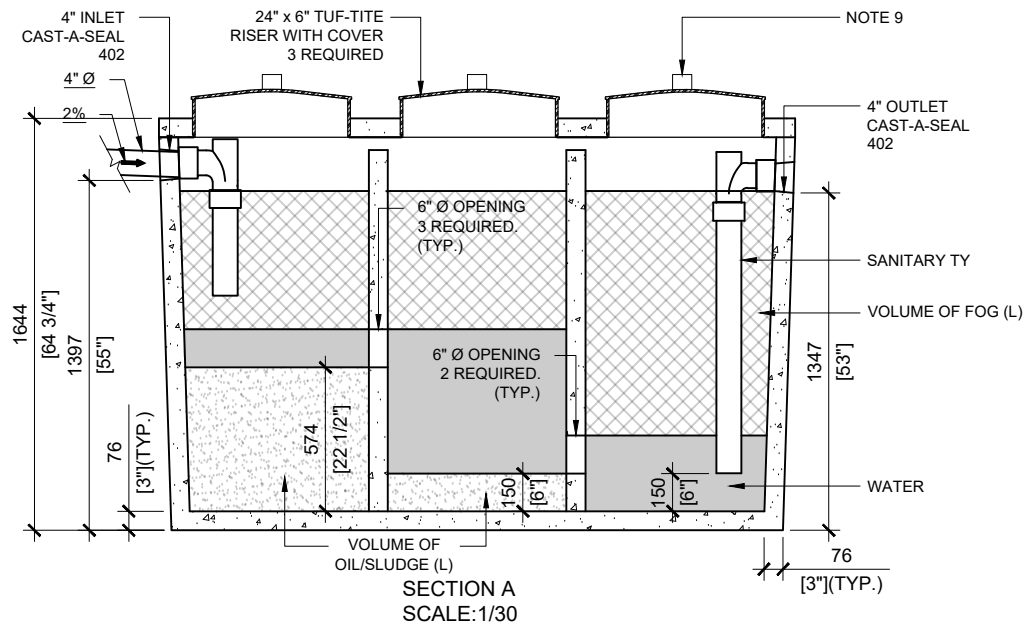
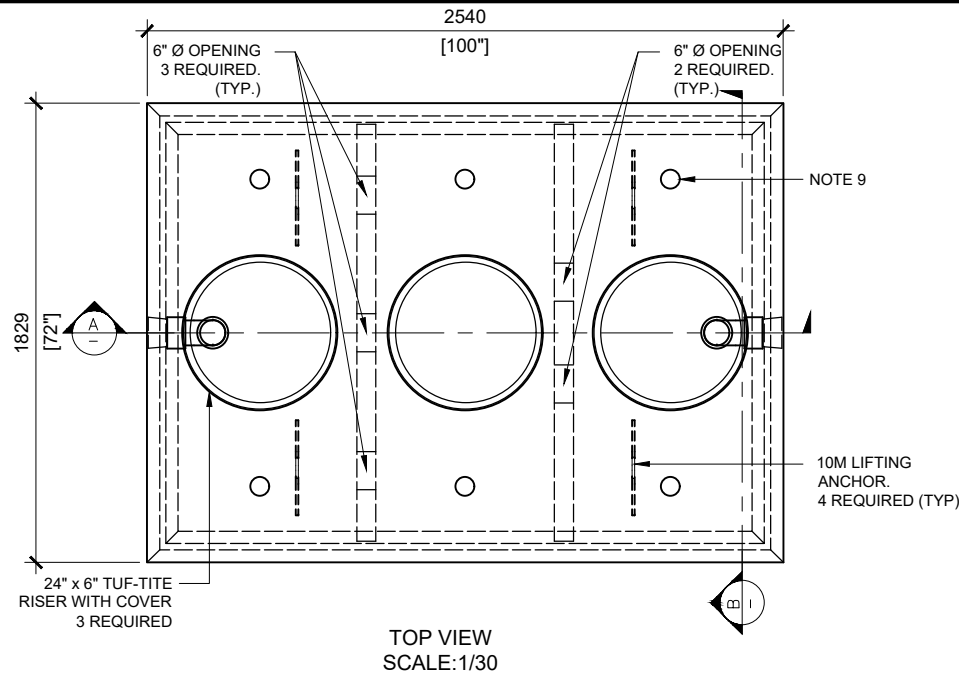


GENERAL NOTES:

1. UNITS ARE SEALED WITH BUTYL TAPE AT THE JOINTS
2. DELIVERY IS MADE BY CRANE-EQUIPPED TRUCKS
3. EXCAVATION MUST BE READY, SAFE AND ACCESSIBLE FOR UNLOADING FROM THE REAR OF THE TRUCK.
4. MIN OVERHEAD CLEARANCE OF 18FT (5.5 METRES) IS REQUIRED
5. ALL UNITS MUST BE HANDLED WITH PROPER LIFTING EQUIPMENT.
6. MAXIMUM BURIAL DEPTH = 1 METRE IN FIRM SOIL AWAY FROM ANY VEHICULAR TRAFFIC
7. NOT INTENDED FOR STORMWATER APPLICATIONS.
8. CSA PERFORMANCE DATA PARAMETERS:
WATER = 23° (+/- 2°C)
OIL = 0.92 (+/- 0.01) SPECIFIC GRAVITY AT 20°C
9. 3" DIAMETER PVC PIPING FOR VENT
6 REQUIRED. ONLY 3 OPERATIONAL AT ONE TIME



MAXIMUM FLOW RATE: 53L/min.
FOR THE SEPARATION OF OIL AND GREASE.



MANUFACTURED:
BROOKLIN, ON
1-800-655-3430

CONCRETE: 35MPa / 5,000PSI
AIR ENTRAINMENT: 5-8%
REINFORCEMENT : STEEL TO CSA CAN
A23.1 / A23.3. G30.18 Fy=400MPa

UNIT WEIGHT: 11,390lbs / 5,170kg
CPA CERTIFIED
MEETS CAN/CSA-B66
"AGIN"

DRAWN BY:
N.CHAN
DATE:
JAN/2020

MODEL 100 GREASE/OIL/SEDIMENT INTERCEPTOR
960 IMPERIAL GALLON / 4,400 LITRES
MAXIMUM FLOW RATE: 53 L/MINUTE