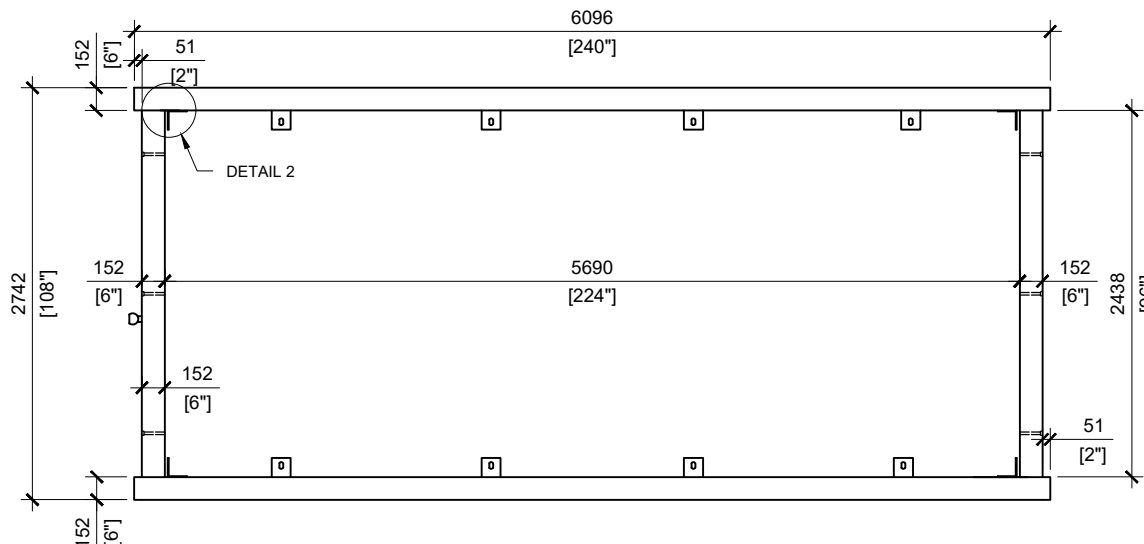
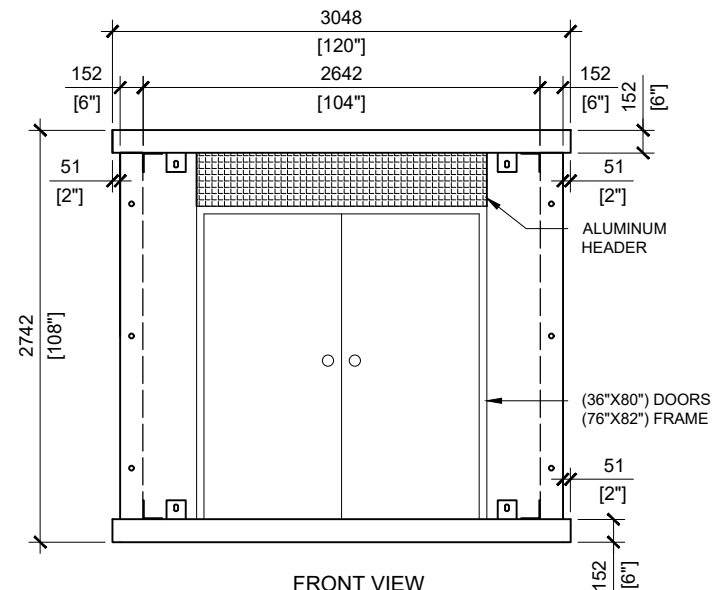


TOP VIEW
SCALE: 1/50



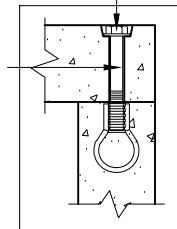
RIGHT VIEW
SCALE: 1/50



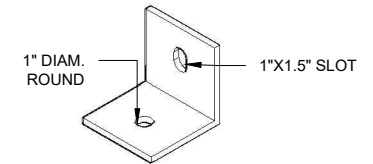
FRONT VIEW
SCALE: 1/50

5/8" DIA. X 4-1/2"
BOLTS (TYP)

F-42 THREADED
INSERT 5/8" DIAM.
(TYP)

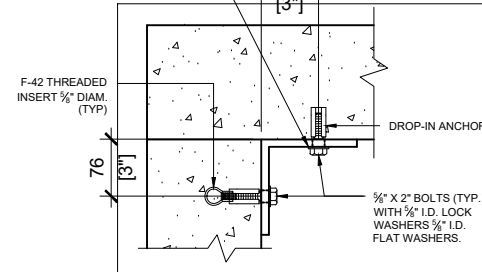


DETAIL 1
WALL-WALL CONNECTION
SCALE: 1/10



STEEL ANGLE PLATE &
OPENING FOR DETAIL 2

BOLT LENGTH TO BE VERIFIED
IN ORDER TO OBTAIN FULL
PENETRATION



DETAIL 2
ROOF/FLOOR-WALL CONNECTION
SCALE: 1/10

GENERAL NOTES:

1. ALL MATERIALS AND WORKMANSHIP CONFORM TO THE OBC2012
2. STRUCTURE HAS BEEN DESIGNED IN ACCORDANCE WITH PART 4 OF THE OBC 2012
3. THE STRUCTURE IS TO BE FOUNDATION ON FREE DRAINING NON-FROST SUSCEPTIBLE MATERIAL WITH A SOIL BEARING CAPACITY OF NO LESS THAN 30kPa
4. CONCRETE ADHESIVE IS TO BE APPLIED TO THE JOINTS BETWEEN THE WALLS AND THE FLOOR/ROOF SLABS
5. CONCRETE MATERIALS CONFORMS TO CSA A23.1
6. REINFORCING STEEL CONFORMS TO CSA G30.18/ W.W.M. CONFORMS TO CSA G30.5

****DIMENSIONS CAN BE
MODIFIED UPON REQUEST****



MANUFACTURED:
BROOKLIN, ON
1-800-655-3430

CONCRETE: 35MPa / 5,000PSI
AIR ENTRAINMENT: 6-8%
REINFORCEMENT : STEEL TO CSA
CAN A23.1 / A23.3. G30.18 Fy=400MPa

WEIGHT: FLOOR: 13,300lbs / 6,031kg
BACK: 5,143lbs / 2,332kg
2 SIDES: 9,930lbs / 4,503kg
FRONT: 1,951lbs / 885kg
ROOF: 13,300lbs / 6,031kg

DRAWN BY:
S.RIMLAND

DATE:
AUG/2017

MODEL 200

PRECAST CONCRETE UTILITY BUILDING
TYPICAL USE: STORAGE / ELECTRICAL BUILDING