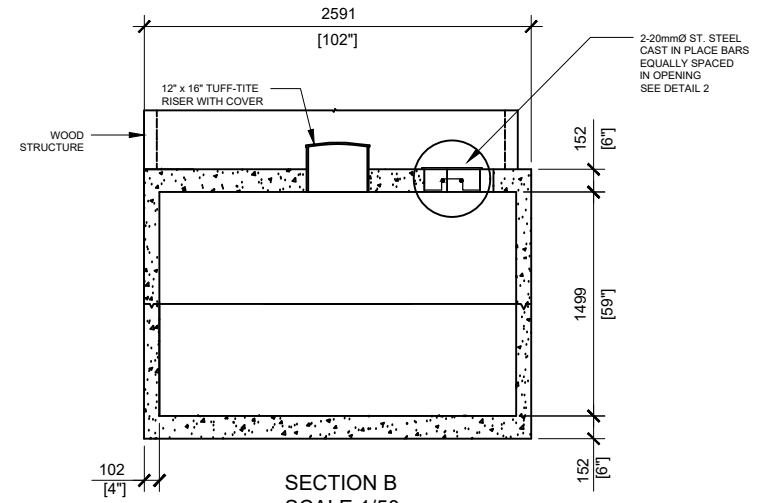
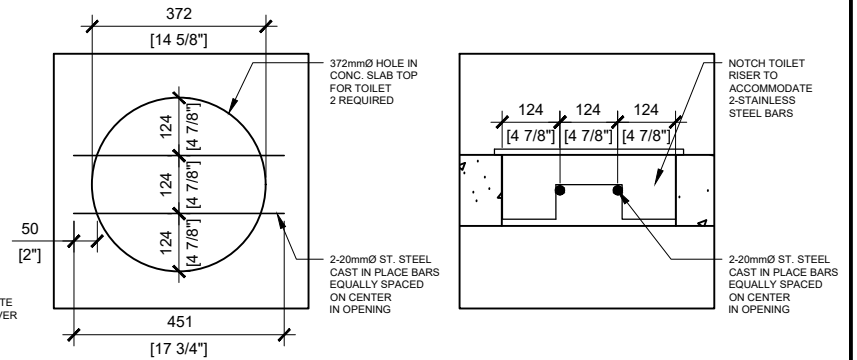


TOP VIEW
SCALE: 1/50



SECTION B
SCALE: 1/50



DETAIL 1: TOILET UNIT PLAN
SCALE: 1/16

DETAIL 2: TOILET UNIT SECTION
SCALE: 1/16

GENERAL NOTES:

1. UNITS ARE SEALED WITH BUTYL TAPE AT THE JOINTS
2. EXCAVATION MUST BE READY, SAFE AND ACCESSIBLE FOR UNLOADING FROM THE REAR OF THE TRUCK.
3. MIN OVERHEAD CLEARANCE OF 18FT IS REQUIRED
4. ALL UNITS MUST BE HANDLED WITH PROPER LIFTING EQUIPMENT (I.E. SPREADER BAR)
5. SCHEMATIC ONLY (FURTHER DETAIL UPON REQUEST)
6. MAXIMUM BURIAL DEPTH=30"

CONCRETE BUILDING OPTIONS AVAILABLE



MANUFACTURED:
OTTAWA, ON
1-800-655-3430

CONCRETE: 35MPa/5000PSI
AIR ENTRAINMENT: 6-8%
MEETS CAN/CSA-B66-00
REINFORCEMENT: MEETS G30.14-M1983

WEIGHT:
TOP: 16,000lbs/7,250kg
BOTTOM: 16,000lbs/7,250kg
CSA APPROVED

DRAWN BY:
S.RIMLAND

DATE:
JAN/2018

PRIVY 3000 WOOD

3,000 IMPERIAL GALLON / 13,650 LITRES