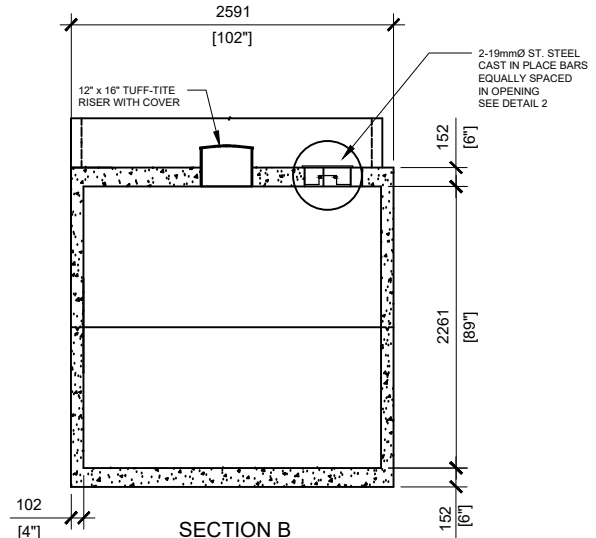
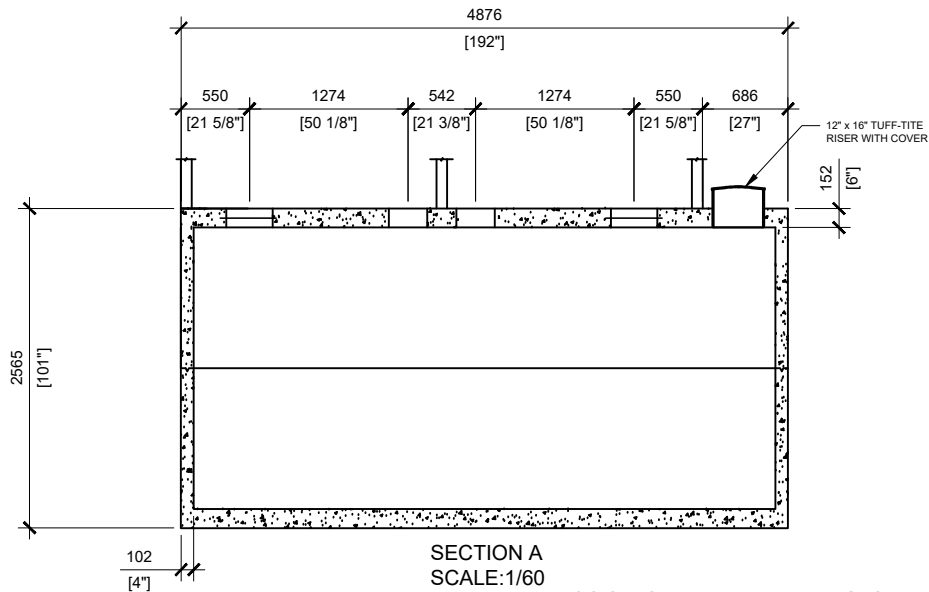


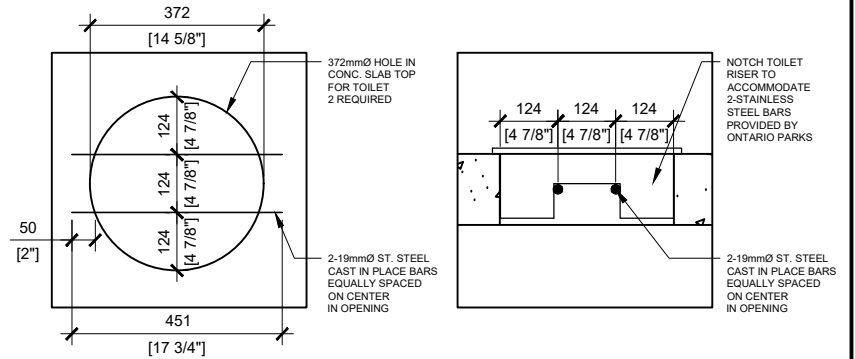
TOP VIEW  
SCALE: 1/50



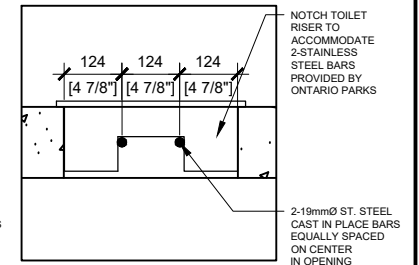
SECTION B  
SCALE: 1/60



SECTION A  
SCALE: 1/60



DETAIL 1: TOILET UNIT PLAN  
SCALE: 1/16



DETAIL 2: TOILET UNIT SECTION  
SCALE: 1/16

**GENERAL NOTES:**

1. UNITS ARE SEALED WITH BUTYL TAPE AT THE JOINTS
2. EXCAVATION MUST BE READY, SAFE AND ACCESSIBLE FOR UNLOADING FROM THE REAR OF THE TRUCK.
3. MIN OVERHEAD CLEARANCE OF 18FT IS REQUIRED
4. ALL UNITS MUST BE HANDLED WITH PROPER LIFTING EQUIPMENT (I.E. SPREADER BAR)
5. SCHEMATIC ONLY (FURTHER DETAIL UPON REQUEST)
6. **MAXIMUM BURIAL DEPTH=30"**

**\*CONCRETE BUILDING OPTIONS AVAILABLE\***



MANUFACTURED:  
OTTAWA, ON  
1-800-655-3430

CONCRETE: 35MPa/5000PSI  
AIR ENTRAINMENT: 6-8%  
MEETS CAN/CSA-B66-00  
REINFORCEMENT: MEETS G30.14-M1983

WEIGHT:  
TOP: 20,000lbs/9,070kg  
BOTTOM: 20,000lbs/9,070kg  
CSA APPROVED

DRAWN BY:  
S. RIMLAND

DATE:  
JAN/2018

**PRIVY 5000 WOOD**

5,000 IMPERIAL GALLON / 22,730 LITRES SEPTIC