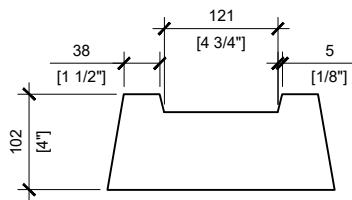
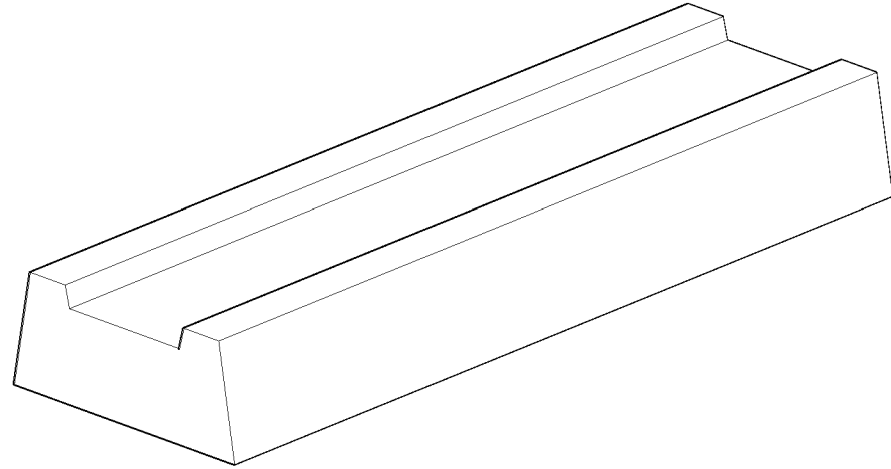
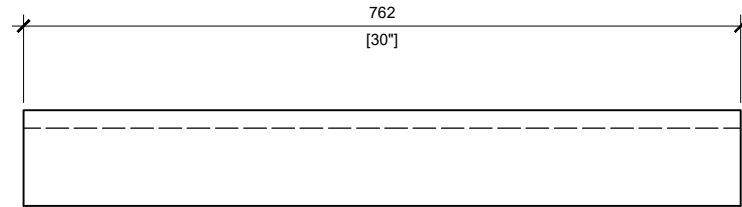


TOP VIEW  
SCALE: 1/10



FRONT VIEW  
SCALE: 1/10



SIDE VIEW  
SCALE: 1/10



MANUFACTURED:  
LINDSAY, ON  
1-800-655-3430

CONCRETE: 35MPa / 5,000PSI  
AIR ENTRAINMENT: 6-8%  
REINFORCEMENT : STEEL TO CSA  
CAN A23.1 / A23.3. G30.18 Fy=400MPa

WEIGHT:  
PROPANE PAD - 82 lbs / 38 kgs

SHEET:  
1/1

DRAWN BY:  
JAY PATEL

PROPANE PAD

DWG NO:  
20220134

DATE:  
DEC/2022