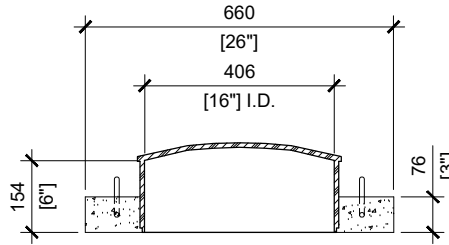


2 - 5 1/8" GALV. LIFTING HOOK

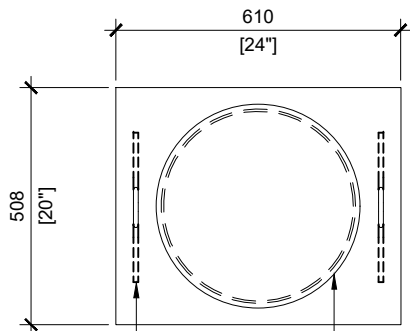
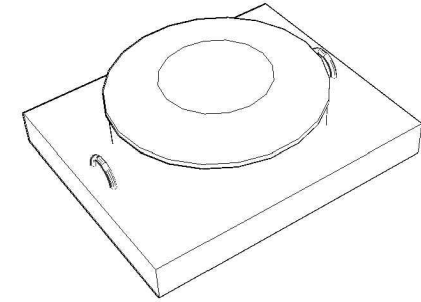
TOP VIEW
SCALE:1/16

16"DIA. X 6" TUF-TITE RISER WITH COVER



CROSS SECTION
SCALE:1/16

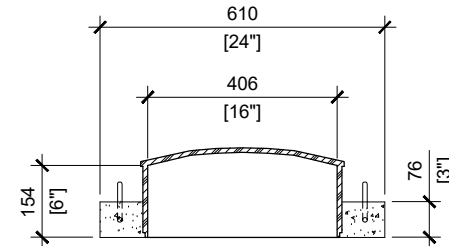
RETROFIT 22"X26"



2 - 5 1/8" GALV. LIFTING HOOK

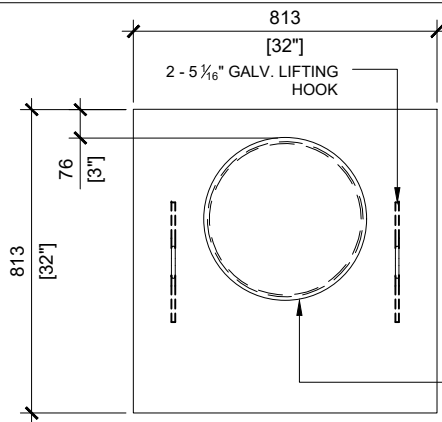
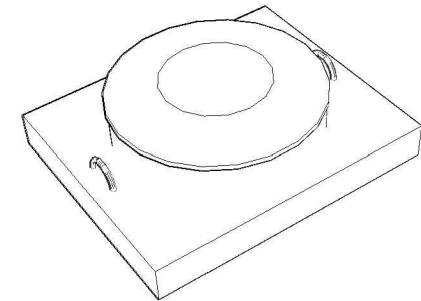
TOP VIEW
SCALE:1/16

16"DIA. X 6" TUF-TITE RISER WITH COVER



CROSS SECTION
SCALE:1/16

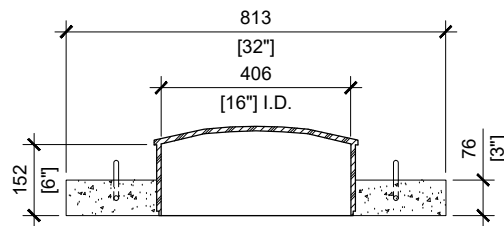
RETROFIT 20"X24"



2 - 5 1/8" GALV. LIFTING HOOK

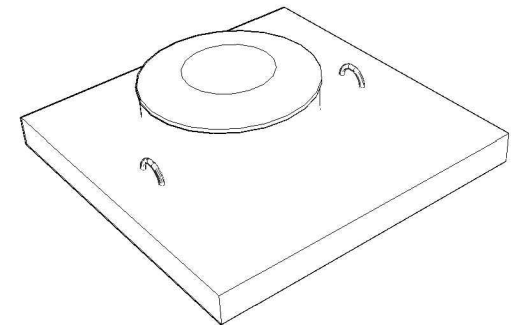
TOP VIEW
SCALE:1/20

16"DIA. X 6" TUF-TITE RISER WITH COVER



CROSS SECTION
SCALE:1/16

RETROFIT 32"X32"



MANUFACTURED:
BROOKLIN, ON
1-800-655-3430

CONCRETE: 35MPa / 4600PSI
AIR ENTRAINMENT: 6-8%
REINFORCEMENT: STEEL TO CSA
CAN A23.1 / A23.3. G30.18
Fy=400MPa

UNIT WEIGHT:
LID 22"X26": 132lbs / 60kgs
LID 20"X24": 110lbs / 50kgs
LID 32"X32": 214lbs / 97kgs

DRAWN BY:
S.RIMLAND

DATE:
JAN/2018

RETROFIT LIDS