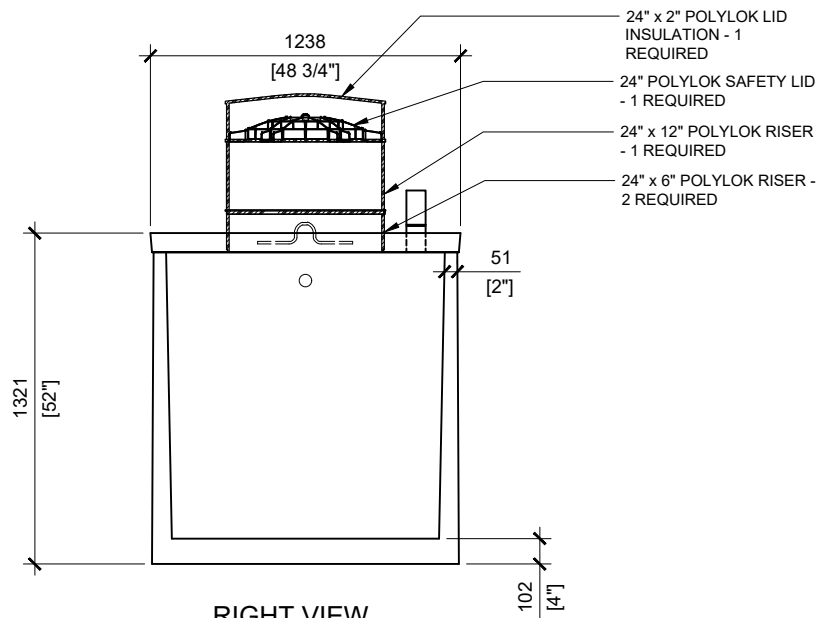


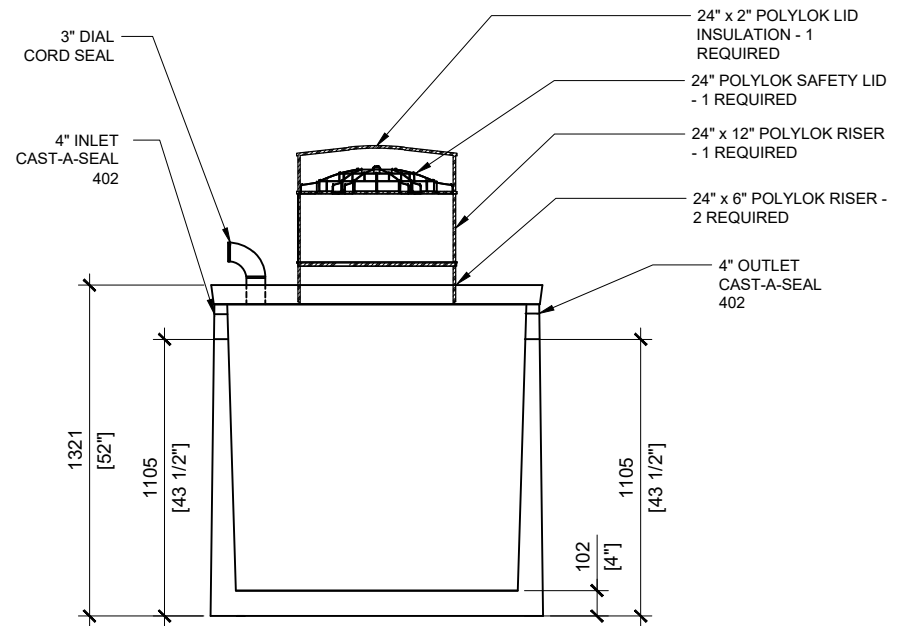
GENERAL NOTES:

1. UNITS ARE SEALED WITH "NON-TOXIC" BUTYL TAPE AT THE JOINTS
2. DELIVERY IS MADE BY CRANE-EQUIPPED TRUCKS
3. EXCAVATION MUST BE READY, SAFE AND ACCESSIBLE FOR UNLOADING FROM THE REAR OF THE TRUCK.
4. MIN OVERHEAD CLEARANCE OF 18FT (5.5 METRES) IS REQUIRED
5. ALL UNITS MUST BE HANDLED WITH PROPER LIFTING EQUIPMENT
6. MAXIMUM BURIAL DEPTH = 1 METRE IN FIRM SOIL AWAY FROM ANY VEHICULAR TRAFFIC
7. POLYLOK SAFETY LIDS INSTALLED IN BOTH OPENINGS AS PER CSA-B66-21

TOP VIEW
SCALE: 1/30



RIGHT VIEW
SCALE: 1/30



FRONT VIEW
SCALE: 1/30



MANUFACTURED:
LINDSAY, ON
1-800-655-3430

CONCRETE: 35MPa/5000PSI
AIR ENTRAINMENT: 5-8%
REINFORCEMENT: STEEL TO CSA CAN
A23.1 /A23.3 G30.18 Fy=400MPa

WEIGHT:
1200 LITRES- 3,560 lbs / 1,615kg

DRAWN BY:
PRASHAN

DATE:
FEB/2024

WATERLOO PT-1200

1200 LITRES