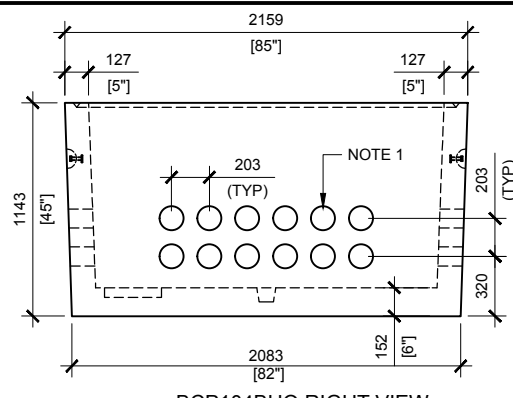
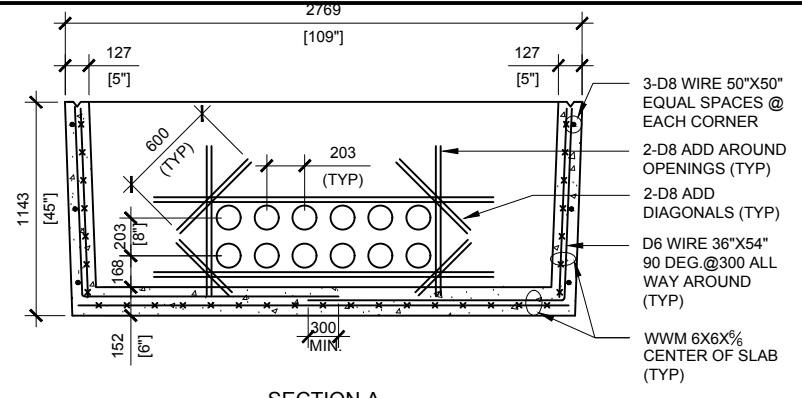


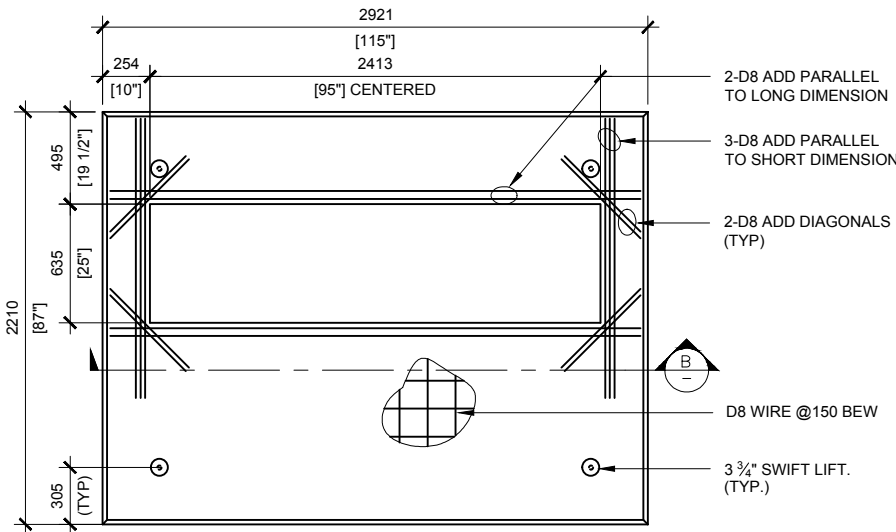
BCP104BHO TOP VIEW
SCALE:1/50



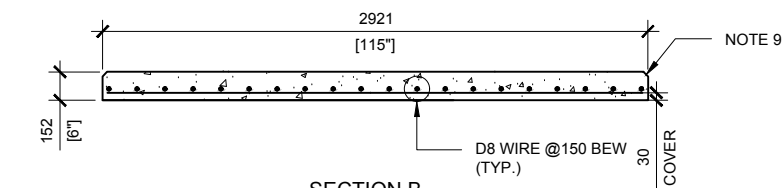
BCP104BHO RIGHT VIEW
SCALE:1/40



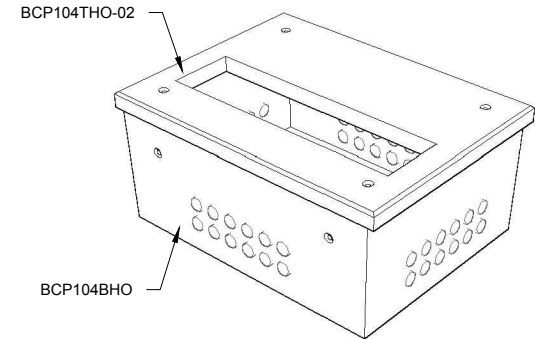
SECTION A
SCALE:1/40



BCP104THO-02 TOP VIEW
SCALE:1/40



SECTION B
SCALE:1/40



GENERAL NOTES:

- CABLE ENTRY OPENINGS - 4 3/4" PVC SEALS
 - DELIVERY IS MADE BY CRANE-EQUIPPED TRUCKS
 - EXCAVATION MUST BE READY, SAFE AND ACCESSIBLE FOR UNLOADING FROM THE REAR OF THE TRUCK.
 - MIN OVERHEAD CLEARANCE OF 18FT IS REQUIRED
 - ALL UNITS MUST BE HANDLED WITH PROPER LIFTING EQUIPMENT (I.E. SPREADER BAR)
 - FOR INSTALLATIONS ON STONE BEDDING, THE ALLOWABLE BEARING PRESSURE AT THE UNDERSIDE OF THE VAULT BOX SECTION SHALL BE A
 - THIS BEARING PRESSURE IS ASSUMED AND SHALL BE CONFIRMED BY A QUALIFIED GEOTECHNICAL ENGINEER PRIOR TO INSTALLATION OF THE VAULT
 - THE TRANSFORMER SHOULD BE UNIFORMLY DISTRIBUTED AND THE EDGE OF THE TRANSFORMER BASE SHALL BE SET WITHIN 150MM OF THE INTERIOR DIMENSIONS FOR THE BASE
 - ALL EXPOSED EDGES TO HAVE 25MM CHAMFER
- MAXIMUM LOAD CAPACITY:**
- MAX. LINEAL LOAD ON TOP SLAB: 7kN/m (UNFACTORED)
 - MAX. EQUIPMENT WEIGHT: 130kN (30,000LBS)



MANUFACTURED:
BROOKLIN, ON
1-800-655-3430

CONCRETE: 35MPa / 5,000PSI
AIR ENTRAINMENT: 6-8%
REINFORCEMENT : STEEL TO CSA
CAN A23.1 / A23.3. G30.18 Fy=400MPa

WEIGHT:
BCP104THO-02 -3,935lbs / 1,785kg
BCP104BHO -10,740lbs / 4,870kg

DRAWN BY:
S.RIMLAND
DATE:
AUG/2017

BCP104HO-02

INCLUDES: BCP104THO-02/ BCP104BHO