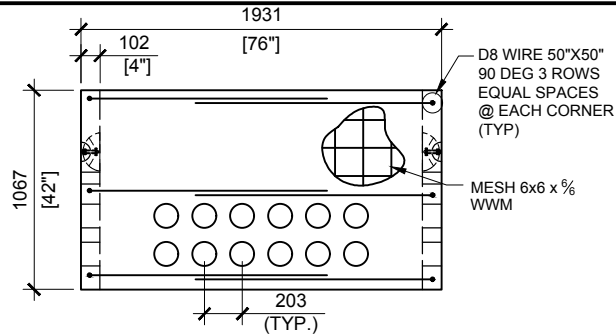
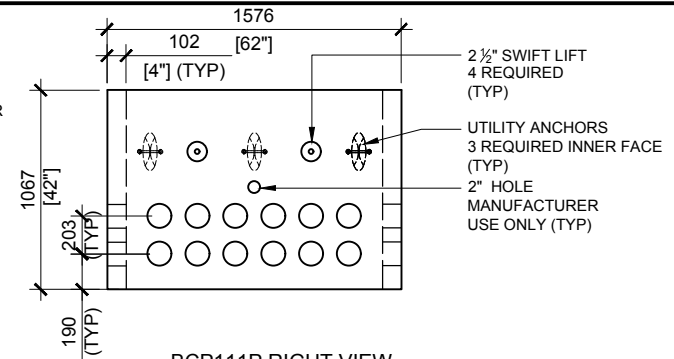


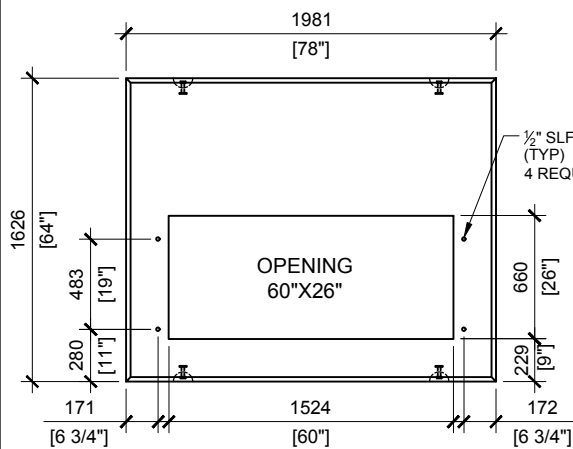
BCP111P TOP VIEW  
SCALE:1/40



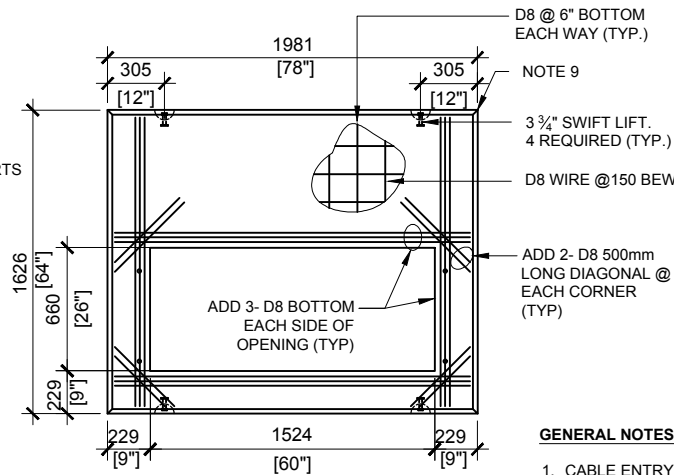
BCP111P FRONT VIEW  
SCALE:1/40



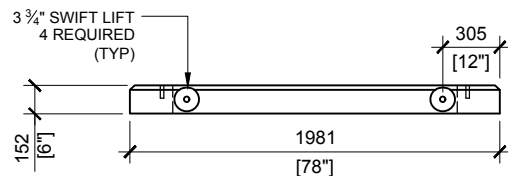
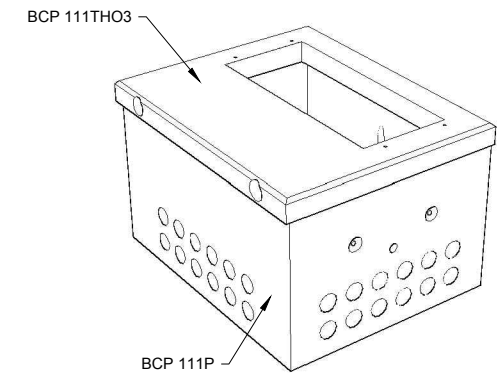
BCP111P RIGHT VIEW  
SCALE:1/40



BCP111THO3 TOP VIEW  
SCALE: 1/40



BCP111THO3  
REINFORCING



BCP111THO3 FRONT VIEW  
SCALE: 1/40

**GENERAL NOTES:**

- CABLE ENTRY OPENINGS - 4-3/4\" PVC SEALS
- DELIVERY IS MADE BY CRANE-EQUIPPED TRUCKS
- EXCAVATION MUST BE READY, SAFE AND ACCESSIBLE FOR UNLOADING FROM THE REAR OF THE TRUCK.
- MIN OVERHEAD CLEARANCE OF 18FT IS REQUIRED
- ALL UNITS MUST BE HANDLED WITH PROPER LIFTING EQUIPMENT (I.E. SPREADER BAR)
- FOR INSTALLATIONS ON STONE BEDDING, THE ALLOWABLE BEARING PRESSURE AT THE UNDERSIDE OF THE VAULT BOX SECTION SHALL BE A
- THIS BEARING PRESSURE IS ASSUMED AND SHALL BE CONFIRMED BY A QUALIFIED GEOTECHNICAL ENGINEER PRIOR TO INSTALLATION OF THE VAULT
- THE TRANSFORMER SHOULD BE UNIFORMLY DISTRIBUTED AND THE EDGE OF THE TRANSFORMER BASE SHALL BE SET WITHIN 150MM OF THE INTERIOR DIMENSIONS FOR THE BASE
- TOP EDGES TO HAVE CHAMFER

**MAXIMUM LOAD CAPACITY:**

- MAX. LINEAL LOAD ON TOP SLAB: 15kN/m (UNFACTORED)
- MAX. EQUIPMENT WEIGHT: 50kN (11,240LBS)



MANUFACTURED:  
BROOKLIN, ON  
1-800-655-3430

CONCRETE: 35MPa / 5,000PSI  
AIR ENTRAINMENT: 6-8%  
REINFORCEMENT : STEEL TO CSA CAN  
A23.1 / A23.3. G30.18 Fy=400MPa

WEIGHT:  
BCP111THO3 -1,755lbs / 795kg  
BCP111P -3,635lbs / 1,650kg

DRAWN BY:  
S.RIMLAND

DATE:  
AUG/2017

**BCP111HO3P**

INCLUDES: BCP111THO3/ BCP111P