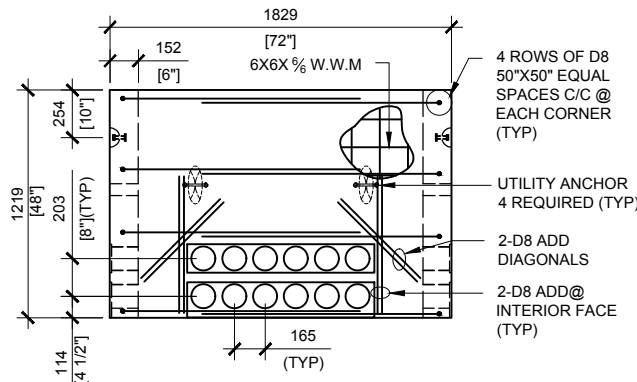
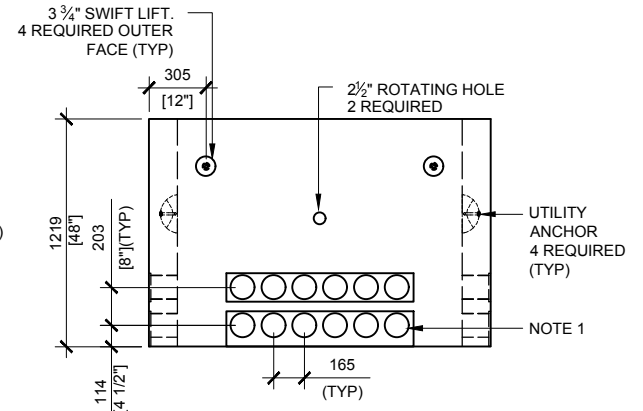


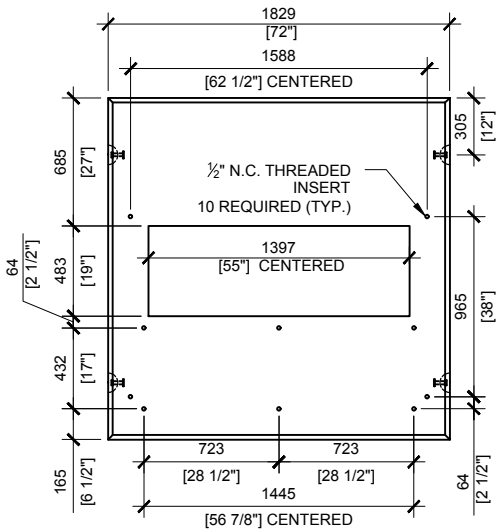
BCP114P TOP VIEW  
SCALE:1/40



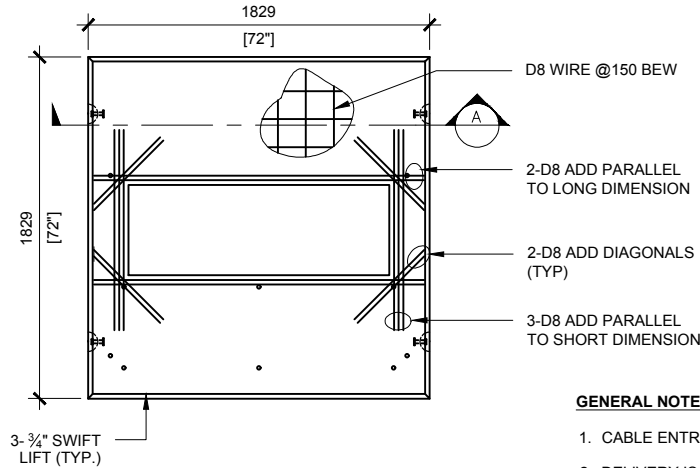
BCP114P RIGHT VIEW.  
SCALE:1/40



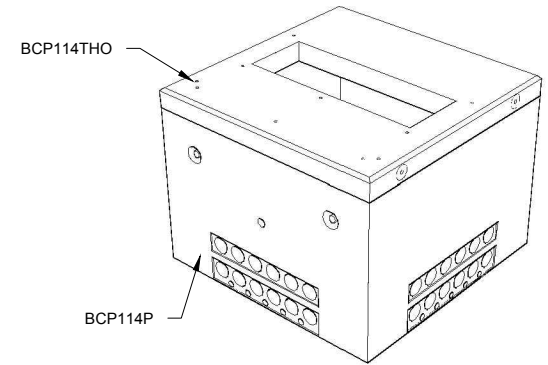
BCP114P FRONT VIEW  
SCALE:1/40



BCP114THO TOP VIEW  
SCALE:1/40



BCP114THO REINFORCING

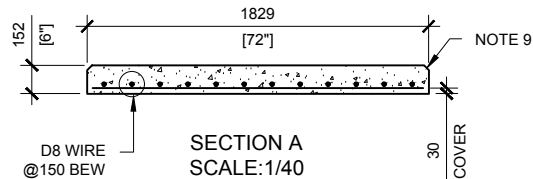


**GENERAL NOTES:**

1. CABLE ENTRY OPENINGS - 4-3/4"
2. DELIVERY IS MADE BY CRANE-EQUIPPED TRUCKS
3. EXCAVATION MUST BE READY, SAFE AND ACCESSIBLE FOR UNLOADING FROM THE REAR OF THE TRUCK.
4. MIN OVERHEAD CLEARANCE OF 18FT IS REQUIRED
5. ALL UNITS MUST BE HANDLED WITH PROPER LIFTING EQUIPMENT (I.E. SPREADER BAR)
6. FOR INSTALLATIONS ON STONE BEDDING, THE ALLOWABLE BEARING
7. THIS BEARING PRESSURE IS ASSUMED AND SHALL BE CONFIRMED BY A QUALIFIED GEOTECHNICAL ENGINEER PRIOR TO INSTALLATION OF THE VAULT
8. THE TRANSFORMER SHOULD BE UNIFORMLY DISTRIBUTED AND THE EDGE OF THE TRANSFORMER BASE SHALL BE SET WITHIN 150MM OF THE INTERIOR DIMENSIONS FOR THE BASE
9. TOP EDGES TO HAVE CHAMFER

**MAXIMUM LOAD CAPACITY:**

- MAX. LINEAL LOAD ON TOP SLAB: 15kN/m (UNFACTORED)
- MAX. EQUIPMENT WEIGHT: 50kN (11,240LBS)



SECTION A  
SCALE:1/40



MANUFACTURED BY:  
BROOKLIN, ON  
1-800-655-3430

CONCRETE: 35MPa / 5,000PSI  
AIR ENTRAINMENT: 6-8%  
REINFORCEMENT : STEEL TO CSA CAN  
A23.1 / A23.3. G30.18 Fy=400MPa

WEIGHT:  
BCP114THO -2,150lbs / 975kg  
BCP114P -6,780lbs / 2,760kg

DRAWN BY:  
S.RIMLAND  
DATE:  
AUG/2017

**BCP114HO3P3W**

INCLUDES: BCP114THO/ BCP114P