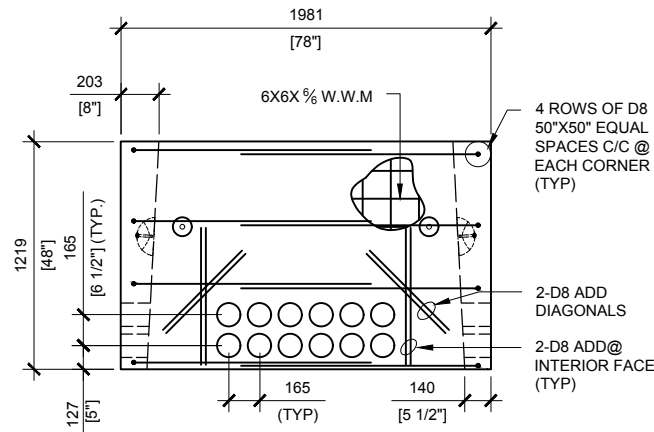
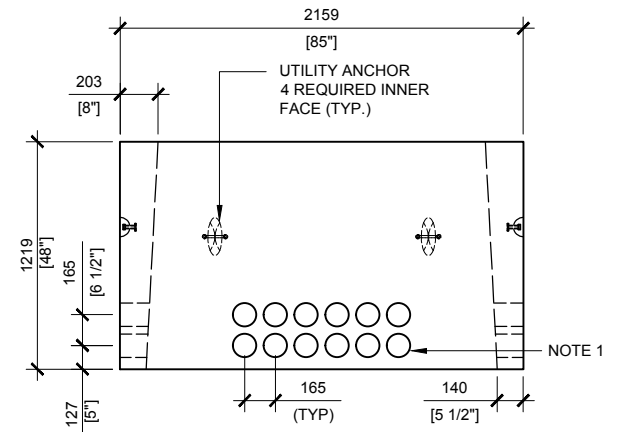


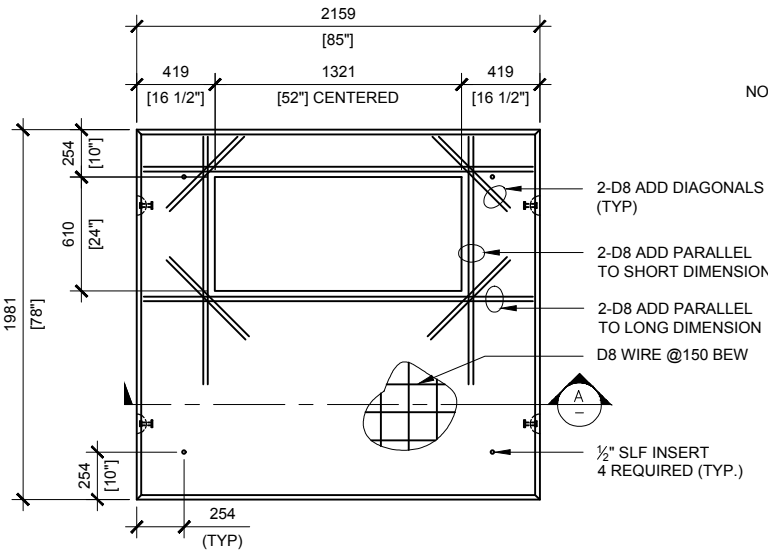
BCP330P TOP VIEW
SCALE:1/40



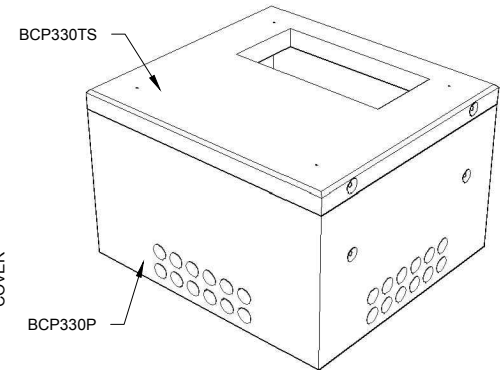
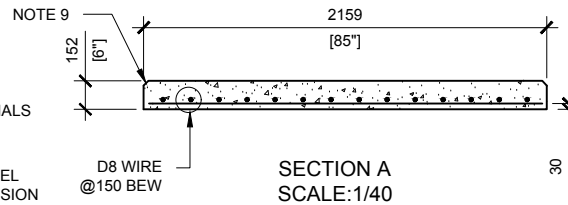
BCP330P RIGHT VIEW
SCALE:1/40



BCP330P FRONT VIEW
SCALE:1/40



BCP330TS TOP VIEW
SCALE:1/40



GENERAL NOTES:

1. CABLE ENTRY OPENINGS - 4 3/4" PVC SEALS
2. DELIVERY IS MADE BY CRANE-EQUIPPED TRUCKS
3. EXCAVATION MUST BE READY, SAFE AND ACCESSIBLE FOR UNLOADING FROM THE REAR OF THE TRUCK.
4. MIN OVERHEAD CLEARANCE OF 18FT IS REQUIRED
5. ALL UNITS MUST BE HANDLED WITH PROPER LIFTING EQUIPMENT (I.E. SPREADER BAR)
6. FOR INSTALLATIONS ON STONE
7. THIS BEARING PRESSURE IS ASSUMED AND SHALL BE CONFIRMED BY A QUALIFIED GEOTECHNICAL ENGINEER PRIOR TO INSTALLATION OF THE VAULT
8. THE TRANSFORMER SHOULD BE UNIFORMLY DISTRIBUTED AND THE EDGE OF THE TRANSFORMER BASE SHALL BE SET WITHIN 150MM OF THE INTERIOR DIMENSIONS FOR THE BASE
9. TOP EDGES TO HAVE CHAMFER

MAXIMUM LOAD CAPACITY:

- MAX. LINEAL LOAD ON TOP SLAB: 15kN/m (UNFACTORED)
- MAX. EQUIPMENT WEIGHT: 50kN (11,240LBS)



MANUFACTURED:
BROOKLIN, ON
1-800-655-3430

CONCRETE: 35MPa / 5,000PSI
AIR ENTRAINMENT: 6-8%
REINFORCEMENT : STEEL TO CSA
CAN A23.1 / A23.3. G30.18 Fy=400MPa

WEIGHT:
BCP330TS - 2,960lbs / 1,345kg
BCP330P - 8,250lbs / 3,750kg

DRAWN BY:
S.RIMLAND

DATE:
AUG/2017

BCP330HO-01

INCLUDES: BCP330TS/ BCP330P