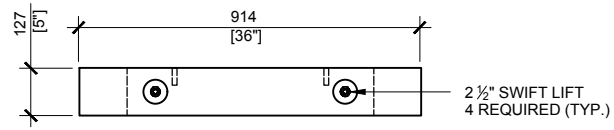
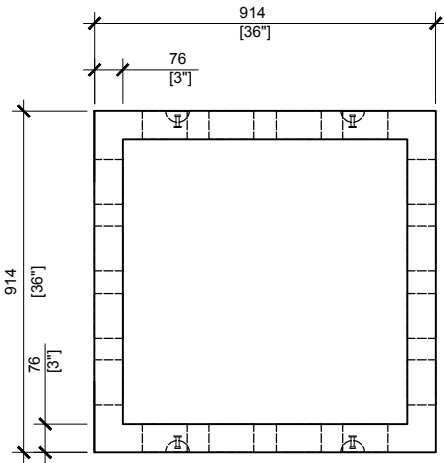
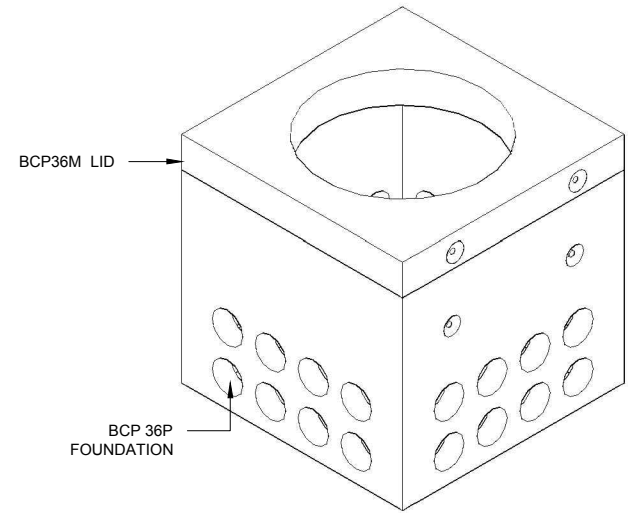


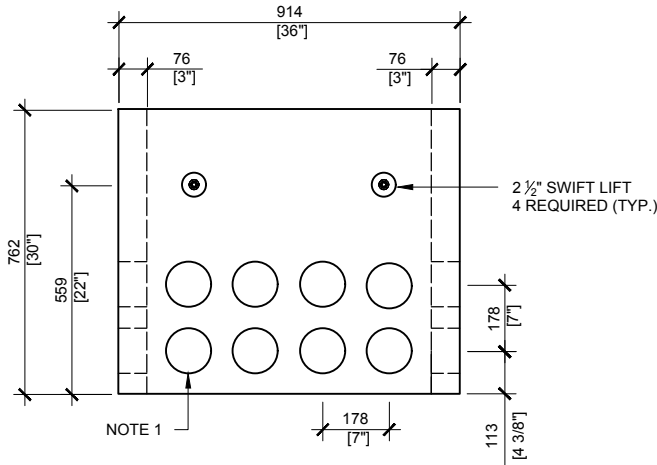
BCP36M LID VIEW  
SCALE:1/20



BCP36M LID FRONT VIEW  
SCALE:1/20



BCP36P TOP VIEW  
SCALE:1/20



BCP36P FRONT VIEW  
SCALE:1/20

**GENERAL NOTES:**

1. CABLE ENTRY OPENINGS - 4-3/4" PVC SEALS
2. DELIVERY IS MADE BY CRANE-EQUIPPED TRUCKS
3. EXCAVATION MUST BE READY, SAFE AND ACCESSIBLE FOR UNLOADING FROM THE REAR OF THE TRUCK.
4. MIN OVERHEAD CLEARANCE OF 18FT IS REQUIRED
5. ALL UNITS MUST BE HANDLED WITH PROPER LIFTING EQUIPMENT (I.E. SPREADER BAR)
6. AVAILABLE WITH SOLID LID FOR USE AS SPLICING CHAMBER



MANUFACTURED:  
BROOKLIN, ON  
1-800-655-3430

CONCRETE: 35MPa / 5,000PSI  
AIR ENTRAINMENT: 6-8%  
REINFORCEMENT : STEEL TO CSA CAN  
A23.1 / A23.3. G30.18 Fy=400MPa

WEIGHT:  
BCP36P- 970lbs / 440kg

DRAWN BY:  
S.RIMLAND

DATE:  
AUG/2017

**BCP36M**

PRECAST CONCRETE JUNCTION BOX.